

## 1. PRODUCT NAME

Handrailing system bearing the STRUCT U RAIL

## 2. MANUFACTURER

Livers Bronze Co. exclusively manufactures the handrail system as described on this sheet.

Livers Bronze Co.  
4621 East 75th Terrace  
Kansas City, MO 64132

Phone: (816) 300 2828  
Fax: (816) 300 0864  
e-mail: [livers@liversbronze.com](mailto:livers@liversbronze.com)

## 3. BASIC USE

Livers Bronze Co. STRUCT U RAIL system is a pre-engineered component based railing system, shipped to the jobsite ready to install.

LIMITATIONS: STRUCT U RAIL railing system is only limited by the materials from which it is fabricated.

Pre-engineered railing should be assembled using the components listed:

BASE: 2 1/2" X 4" 810A or 813A -extruded aluminum base.

CAP RAIL: A wide selection of metal and wood caps in many styles, sizes and finishes are available.

SIDE MOUNTED HANDRAIL: A 1 1/2" round metal handrail with RB 1053 bracket is available in a variety of materials and finishes.

GLASS: 1/2" tempered glass furnished by Livers Bronze. 3/4" tempered glass, (use base 813A) may be used for aesthetic reasons.

All glass panels are field glazed to allow for maximum adjustment due to variance in field conditions. For curved sections, bent tempered glass is utilized to form the desired radius.

FINISHES: A wide selection of colors and textures in powder coat is available. Colors are selected from manufacturers standard color charts. Standard directional and non-directional satin and polished finishes are available for stainless steel and bronze.

TRIM: Custom trim closures and cladding are available from Livers Bronze Co. All metals and finishes, except anodized finishes, are available. Contact Livers Bronze for additional information.

*continued on other side...*

## 4. TECHNICAL DATA

# STRUCTURAIL

## Railing System

### Product Data Sheet

Visit our website for:

- AutoCAD Details
- CSI format guide specifications
- Photos

[www.liversbronze.com](http://www.liversbronze.com)

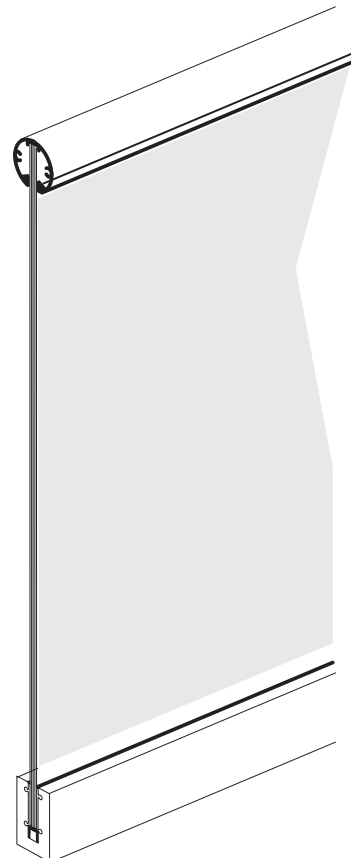
**Livers**

**Bronze Co.**

4621 East 75th Terrace  
Kansas City, MO 64132

Phone: (816) 300 2828  
Fax: (816) 300 0864  
e-mail: [livers@liversbronze.com](mailto:livers@liversbronze.com)

**Railing Systems from the Industry Leader**



STRUCTURAIL  
Product Data Sheet

**Livers**

#### 4. TECHNICAL DATA

STRUCT U RAIL system conforms to IBC and ADA regulations for openings and stress.

#### 5. INSTALLATION

Livers Bronze Co. STRUCT U RAIL system must be attached with fasteners and to surfaces that are approved or selected by the manufacturer and should be detailed on all shop drawings.

#### 6. COST AND AVAILABILITY

Cost: Varies according to quantity and material selection. Further information may be obtained from Livers Bronze Co. or one of their authorized representatives.

Availability: STRUCT U RAIL railing system is subject to current delivery schedules. Each project must be reviewed before scheduling is available.

#### 7. GUARANTEE

Livers Bronze Co. warrants that its STRUCT U RAIL railing system is of sound quality, conforming to standards as stated

in part 4 hereof and is reasonably free of defects in material and workmanship. Inasmuch as Livers Bronze Co. has no control over the installation of its products, no other warranty is expressed or implied. Livers Bronze does not warrant against glass breakage.

#### 8. MAINTENANCE

The surface of Livers Bronze Co. material can be kept clean by the use of ordinary soaps and mild cleansers. Abrasive cleaners should not be used.

#### 9. TECHNICAL SERVICES

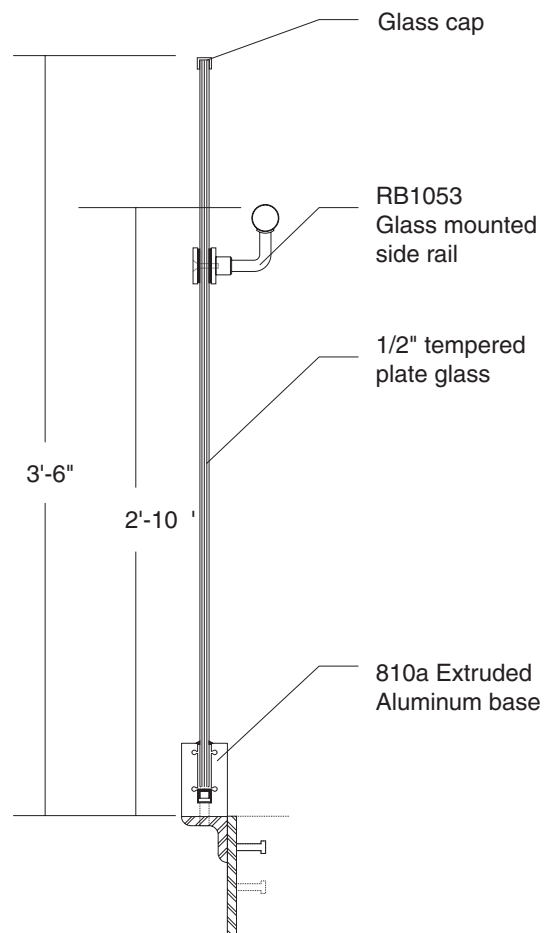
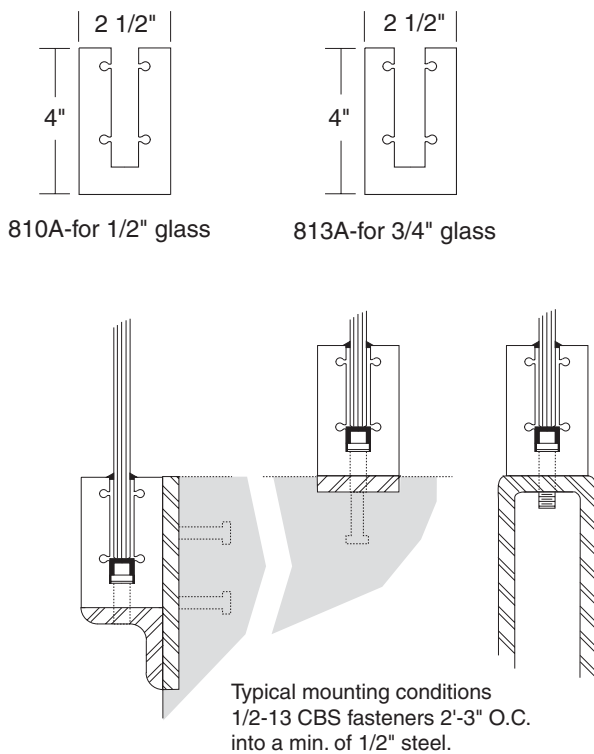
Technical services are rendered direct from the Livers Bronze Company in Kansas City, Missouri.

#### 10. FILING SYSTEM

Sweet's Architectural file.

Sweets.com

Literature available on request.



**Livers**

**Bronze Co.**

4621 East 75th Terrace  
Kansas City, MO 64132

Phone: (816) 300 2828  
Fax: (816) 300 0864  
e-mail: [livers@liversbronze.com](mailto:livers@liversbronze.com)

AutoCAD details &  
specifications are available at:  
[www.liversbronze.com](http://www.liversbronze.com)