

20/20

Product Data Sheet

1. PRODUCT NAME

Handrailing system bearing the name 20/20

2. MANUFACTURER

Livers Bronze Co. exclusively manufactures the handrail system as described on this sheet.

Livers Bronze Co.
4621 East 75th Terrace
Kansas City, MO 64132

Phone: (816) 300 2828
Fax: (816) 300 0864
e-mail: livers@liversbronze.com

3. BASIC USE: Livers Bronze 20/20 railing system is a pre-engineered component based railing system, shipped to the jobsite ready to install.

LIMITATIONS: 20/20 railing system is only limited by the materials from which it is fabricated.

Pre-engineered railing should be assembled using the components listed:

20/20: Stainless steel glass support posts with compression discs for 1/2" tempered glass @ 5'-0" O.C.

OPTIONAL CAP RAIL: "MN" & 1 1/2" round profiles.

ASSIST RAIL: 1 1/2" round stainless steel, aluminum or bronze. 2" round hardwood (sanded only) also available.

FINISHES: Standard circular grain satin and polished finishes are available for stainless steel & bronze railing. Powder coat finish for steel.

GLASS: 1/2" clear tempered plate glass furnished by Livers Bronze for 20/20 railing system.

4. TECHNICAL DATA

The 20/20 railing system is designed to meet performance criteria as

outlined in IBC 2006.

5. INSTALLATION

Livers Bronze Co. 20/20 railing system must be attached to surfaces that are approved or selected by the manufacturer and shall be detailed on all shop drawings.

6. AVAILABILITY AND COST

Cost: Varies according to quantity and material. Further information may be obtained from Livers Bronze Co. or one of their authorized representatives.

Availability: 20/20 railing system is subject to current delivery schedules. Each project must be reviewed before scheduling is available.

7. GUARANTEE

Livers Bronze Co. warrants that its 20/20 railing system is of sound quality, conforming to standards as stated in part 4 hereof and is reasonably free of defects in material and workmanship. Inasmuch as Livers Bronze has no control over the installation of its products, no other warranty is expressed or implied. Livers Bronze Co. does not warranty against glass breakage.

8. MAINTENANCE

The surface of Livers Bronze Co. material can be kept clean by the use of ordinary soaps and mild cleansers. Abrasive cleaners should not be used.

9. TECHNICAL SERVICES

Technical services are rendered direct from the Livers Bronze Company in Kansas City, Missouri.

10. FILING SYSTEM

Sweet's Architectural file.
Sweets.com

Innovative by Design

AutoCAD details & specifications are available at: www.liversbronze.com

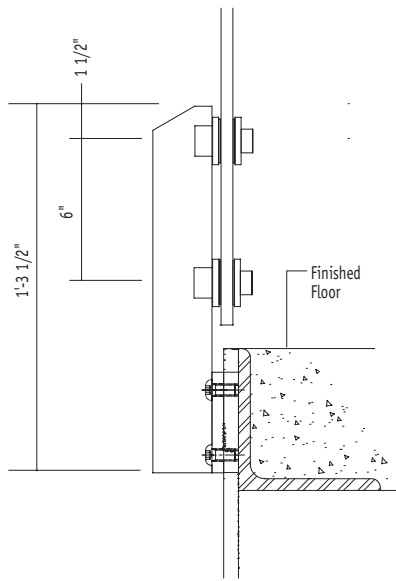
4621 East 75th Terrace
Kansas City, MO 64132

© 2009 Livers Bronze Co.

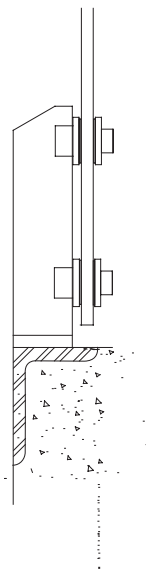
Phone: (816) 300 2828
Fax: (816) 300 0864
e-mail: livers@liversbronze.com



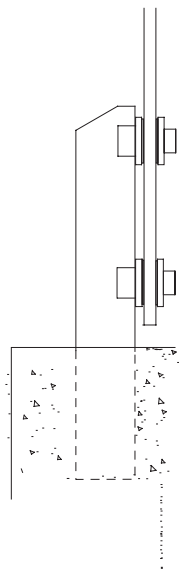
RAILING SYSTEMS



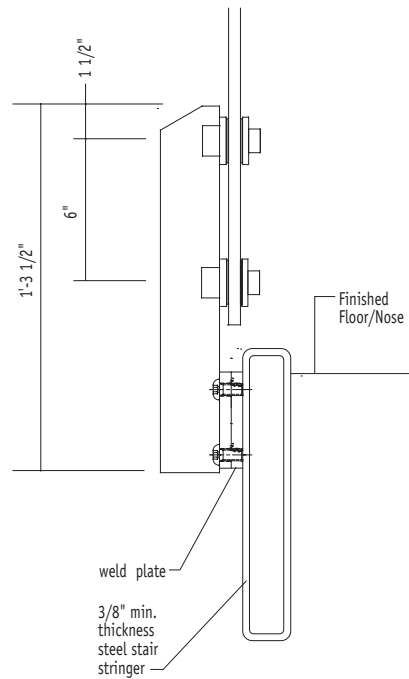
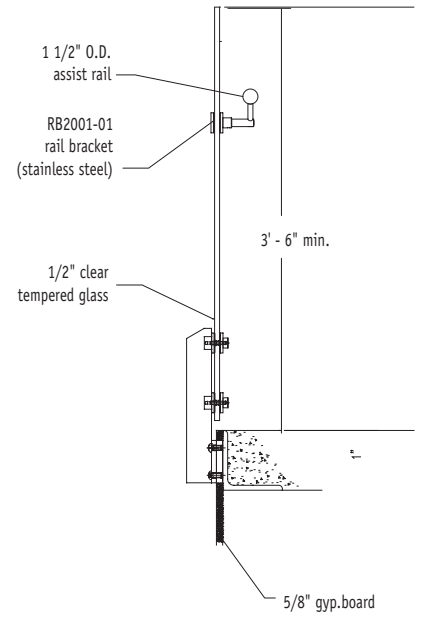
Side mount Section



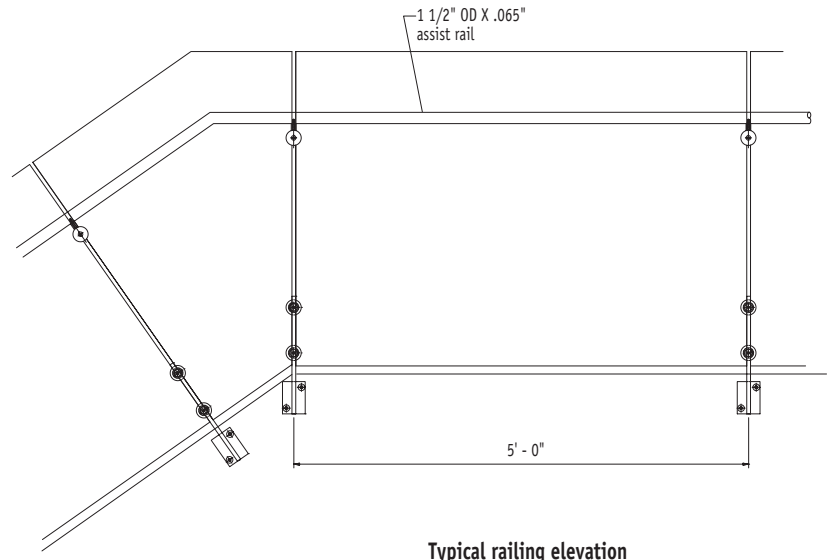
Top mount to steel Section



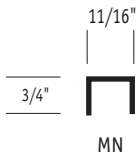
Top mount cored drilled concrete Section



Side mount Section



Typical railing elevation



Optional cap rails

Note: If cap rail is used, assist rail is not required except @ stair condition.

Innovative by Design

AutoCAD details & specifications are available at: www.liversbronze.com

4621 East 75th Terrace
Kansas City, MO 64132

Phone: (816) 300 2828
Fax: (816) 300 0864
e-mail: livers@liversbronze.com



RAILING SYSTEMS