

ICON

Product Data Sheet

1. PRODUCT NAME

Handrailing system bearing the name ICON

2. MANUFACTURER

Livers Bronze Co. exclusively manufactures the handrail system as described on this sheet.

Livers Bronze Co.
4621 East 75th Terrace
Kansas City, MO 64132

Phone: (816) 300 2828
Fax: (816) 300 0864
e-mail: livers@liversbronze.com

3. BASIC USE

Livers Bronze Co. ICON system is a pre-engineered component based railing system, shipped to the jobsite ready to install.

Pre-engineered railing should be assembled using the components listed:

POST ASSEMBLIES :

42" high guardrail post for 3/8" tempered glass or framed metal infill applications. Post is stainless steel or powder coated steel spaced at 4'-0" O.C. maximum.

HANDRAIL OPTIONS:

Top rail is 1 1/2" dia. stainless steel, 2" dia. hardwood (specify species) or 1 1/2" dia. bronze

Handrail is 1 1/2" dia. stainless steel or bronze

INFILL OPTIONS:

- 3/8" tempered glass furnished by Livers Bronze Co. for attaching to posts.

- Stainless steel framed woven wire
- Stainless steel framed perforated metal

Panels to mount to post with either stainless steel clip or stainless steel rod & piston hardware-select mounting design

FINISHES:

Long grain satin finish is standard for stainless steel posts.

Powder coat finish is standard for steel posts (20 standard colors)

Circular grain satin finish is standard for stainless or bronze handrails

Stainless steel framed infill panels with #4 finish. Infill to be perforated stainless steel (standard perforation pattern) or standard woven stainless steel or powder coated steel wire (consult Livers Bronze for options)

Wood to be sanded for final field finishing by others

4. TECHNICAL DATA

The ICON railing system conforms to IBC and ADA regulations for openings and stress.

5. INSTALLATION

Livers Bronze Co. ICON railing system must be attached with fasteners to surfaces that are approved or selected by the manufacturer, and must be detailed on all shop drawings.

6. AVAILABILITY AND COST

Cost varies according to quantity and material. Further information may be obtained from Livers Bronze Co. or one of its authorized representatives.

Availability: ICON railing system is subject to current delivery schedules. Each project must be reviewed before scheduling is available.

7. GUARANTEE

Livers Bronze Co. warrants that its ICON railing system is of sound quality. It conforms to standards as stated in part 4 hereof and is reasonably free of defects in material and workmanship. Inasmuch as Livers Bronze Co. has no control over the installation of its products, no other warranty is expressed or implied. Livers Bronze Co. does not warranty against glass breakage.

8. MAINTENANCE

The surface of Livers Bronze Co. material can be kept clean by the use of ordinary soaps and mild cleansers. Abrasive cleaners should not be used.

9. TECHNICAL SERVICES

Technical services are rendered direct from the Livers Bronze Company in Kansas City, Missouri.

Literature available on request.

Innovative by Design

AutoCAD details & specifications are available at: www.liversbronze.com

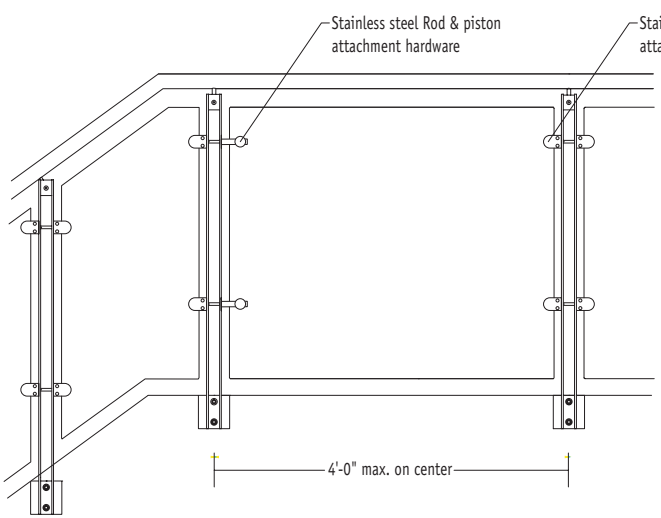
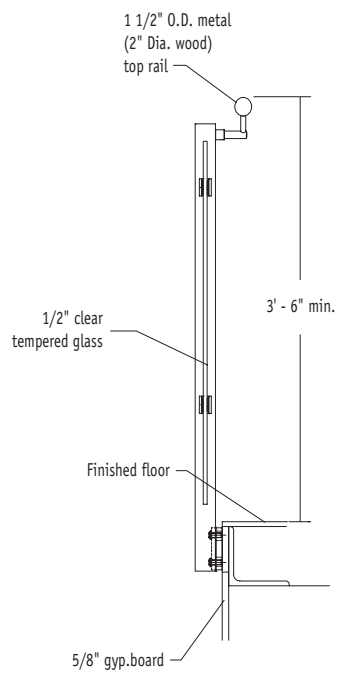
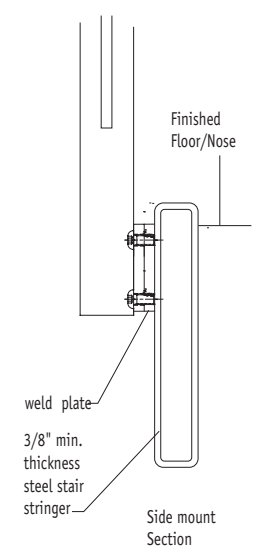
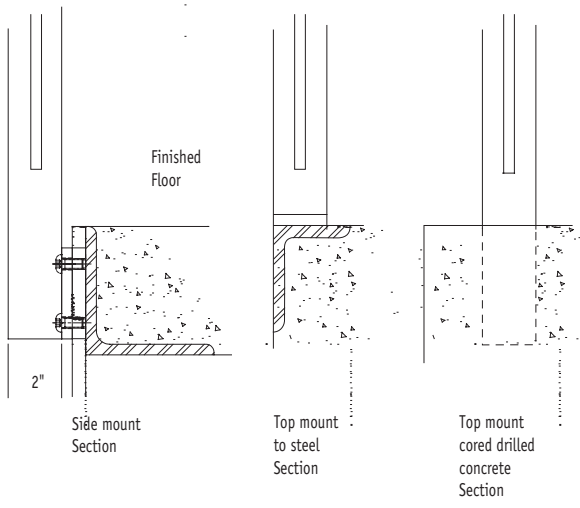
4621 East 75th Terrace
Kansas City, MO 64132

© 2009 Livers Bronze Co.

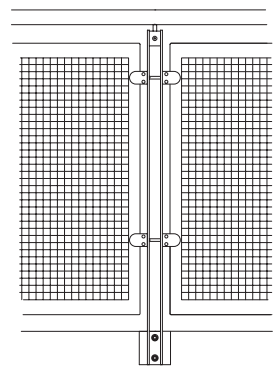
Phone: (816) 300 2828
Fax: (816) 300 0864
e-mail: livers@liversbronze.com



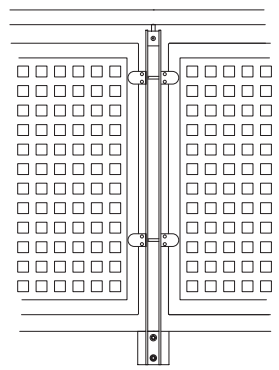
RAILING SYSTEMS



Typical railing elevation with glass infill



Typical railing elevation with woven wire infill



Typical railing elevation with perf. metal infill

Innovative by Design

AutoCAD details & specifications are available at: www.liversbronze.com

4621 East 75th Terrace
Kansas City, MO 64132

Phone: (816) 300 2828
Fax: (816) 300 0864
e-mail: livers@liversbronze.com

© 2009 Livers Bronze Co.

