

METRO

Product Data Sheet

1. PRODUCT NAME

Handrailing system bearing the name METRO

2. MANUFACTURER

Livers Bronze Co. exclusively manufactures the handrail system as described on this sheet.

Livers Bronze Co.
4621 East 75th Terrace
Kansas City, MO 64132

Phone: (816) 300 2828
Fax: (816) 300 0864
e-mail: livers@liversbronze.com

3. BASIC USE:

Livers Bronze Co. METRO system is a pre-engineered component based railing system, shipped to the jobsite ready to install.

LIMITATIONS: METRO railing system is only limited by the materials from which it is fabricated.

Pre-engineered railing should be assembled using the components listed:

5.75" x 42" high guardrail post of extruded aluminum.
5'-0" O.C. maximum (standard width post).

3.75" x 42" high guardrail post of extruded aluminum.
5'-0" O.C. maximum (optional narrow post).

42" high w/ 34" high side mounted handrail.

Handrail may be 2" dia. wood (sanded, specify species) or 1 1/2" Diameter metal handrail in stainless steel, bronze or powder coated metal.

1/2" tempered glass furnished by Livers Bronze Co. for field attaching to post.

Finishes: A wide selection of colors and textures in powder coat are available for post finishes. Colors are selected from manufacturer's standard color charts. Standard circular grain satin and polished finishes are available for stainless steel and bronze railings. Wood rails to be sanded, final field finish by others. Anodized finishes are not available.

4. The METRO railing system conforms to IBC and ADA regulations for openings and stress.

5. INSTALLATION

Livers Bronze Co. METRO railing system must be attached with fasteners and to surfaces that are approved or selected by the manufacturer and shall be detailed on all shop drawings.

6. AVAILABILITY AND COST

Cost: Varies according to quantity. Further information may be obtained from Livers Bronze Co. or one of their authorized representatives.

Availability: METRO railing system is subject to current delivery schedules. Each project must be reviewed before scheduling is available.

7. GUARANTEE

Livers Bronze warrants that its METRO railing system is of sound quality, conforming to standards as stated in part 4 hereof and are reasonably free of defects in material and workmanship. Inasmuch as Livers Bronze has no control over the installation of its products, no other warranty is expressed or implied. Livers Bronze Co. does not warrant against glass breakage.

8. MAINTENANCE

The surface of Livers Bronze Co. material can be kept clean by the use of ordinary soaps and mild cleansers. Abrasive cleaners should not be used.

9. TECHNICAL SERVICES

Technical services are rendered direct from the Livers Bronze Company in Kansas City, Missouri.

10. FILING SYSTEM

Sweet's Architectural file.
Sweets.com
Literature available on request.

Innovative by Design

AutoCAD details & specifications are available at: www.liversbronze.com

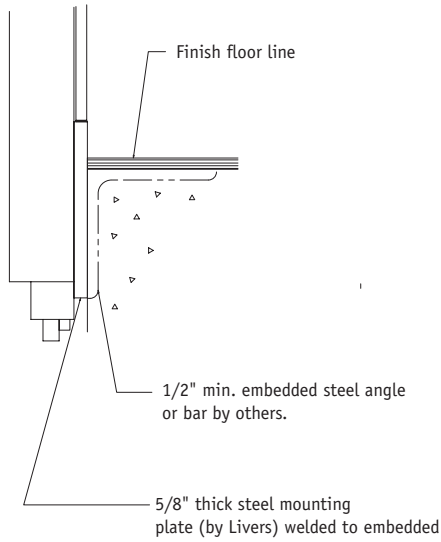
4621 East 75th Terrace
Kansas City, MO 64132

© 2008 Livers Bronze Co.

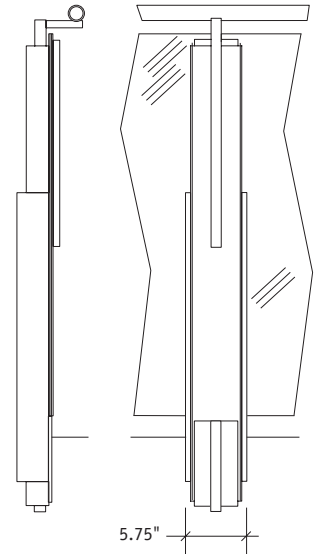
Phone: (816) 300 2828
Fax: (816) 300 0864
e-mail: livers@liversbronze.com



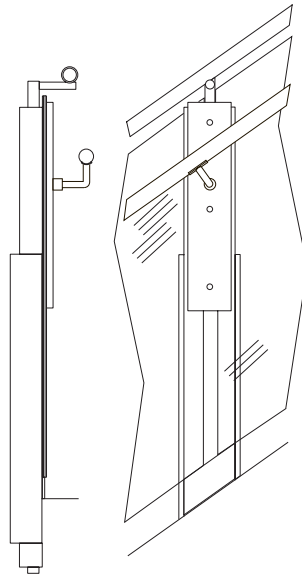
RAILING SYSTEMS



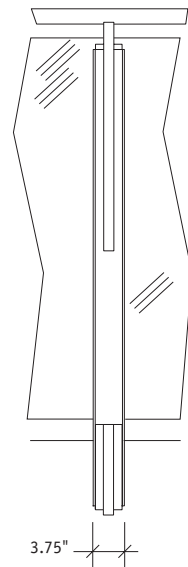
Typical Side mount detail



5.75"
Standard (width)
Metro guardrail post
5.75" x 42" H



Metro post @ stair condition
4.25" H



3.75"
Metro guardrail post
(optional narrow)
3.75" x 42" H

Innovative by Design

AutoCAD details & specifications are available at: www.liversbronze.com

4621 East 75th Terrace
Kansas City, MO 64132

Phone: (816) 300 2828
Fax: (816) 300 0864
e-mail: livers@liversbronze.com

© 2008 Livers Bronze Co.



RAILING SYSTEMS