

STRATAWALL

Product Data Sheet

1. PRODUCT NAME

Demountable wall partition system bearing the name STRATAWALL

2. MANUFACTURER

Livers Bronze Co. exclusively manufactures the wall system as described on this sheet.

Livers Bronze Co.
4621 East 75th Terrace
Kansas City, MO 64132

Phone: (816) 300 2828
Fax: (816) 300 0864
e-mail: livers@liversbronze.com

3. BASIC USE

Livers Bronze Co. STRATAWALL system is a pre-engineered component based wall system, shipped to the jobsite ready to install.

Pre-engineered wall should be assembled using the components listed:

1/2" x 2 Stainless steel post. 4' - 0" O.C.
1 1/2" X 4" Stainless steel mounting block for top and bottom mounting.
1 1/2" Stainless steel panel mounting bracket.

Finish: Standard finish is a #4 satin on all parts.
Panel options: Wood or metal, perforated material, textured glass, laminated glass or 3/8" tempered glass furnished by Livers Bronze for attaching to stainless steel mounting components. Glass may be tempered, textured, tinted or template cut.

4. TECHNICAL DATA

The STRATAWALL system is designed to be a barrier or partition on a level surface.

5. INSTALLATION

Livers Bronze Co. STRATAWALL system must be attached with fasteners and to surfaces that are approved or selected by the manufacturer and must be detailed on all shop drawings.

6. AVAILABILITY AND COST

Cost: Varies according to quantity and material. Further information may be obtained from Livers Bronze Co. or one of their authorized representatives.

Availability: STRATAWALL system is subject to current delivery schedules. Each project must be reviewed before scheduling is available.

7. GUARANTEE

Livers Bronze warrants that its STRATAWALL system is of sound quality, and is reasonably free of defects in material and workmanship. Inasmuch as Livers Bronze Co. has no control over the installation of its products, no other warranty is expressed or implied. Livers Bronze Co. does not warranty against glass breakage.

8. MAINTENANCE

The surface of Livers Bronze Co. material can be kept clean by the use of ordinary soaps and mild cleansers. Abrasive cleaners should not be used.

9. TECHNICAL SERVICES

Technical services are rendered direct from the Livers Bronze Company in Kansas City, Missouri.

10. FILING SYSTEM

Sweet's Architectural file.
Sweets.com
Literature available on request.

Innovative by Design

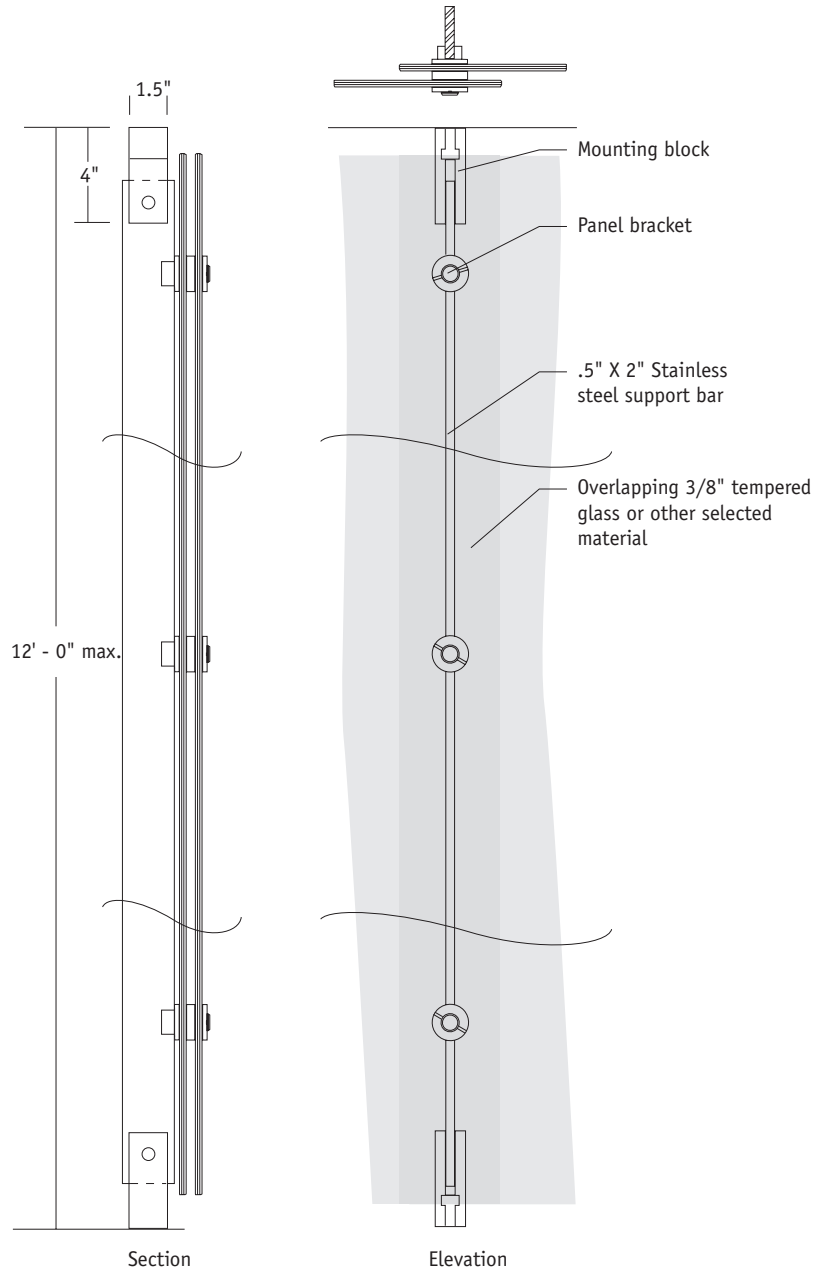
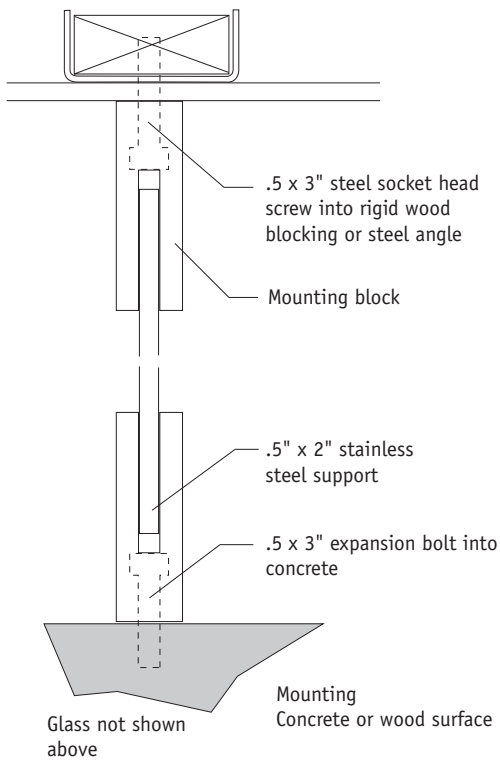
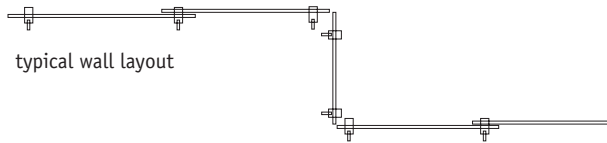
AutoCAD details & specifications are available at: www.liversbronze.com

4621 East 75th Terrace
Kansas City, MO 64132

Phone: (816) 300 2828
Fax: (816) 300 0864
e-mail: livers@liversbronze.com



RAILING SYSTEMS



Innovative by Design

AutoCAD details & specifications are available at: www.liversbronze.com

4621 East 75th Terrace
Kansas City, MO 64132

Phone: (816) 300 2828
Fax: (816) 300 0864
e-mail: livers@liversbronze.com

© 2008 Livers Bronze Co.



RAILING SYSTEMS