

**BUTTON**  
SYSTEM

**LIVERS**  
BRONZE



# CONTENT

## **PRODUCT DESCRIPTION . . . . . 4**

- BRACKETS . . . . .5
- BUTTON PRODUCT DATA . . . . .6
- BUTTON CHARTS . . . . .8

## **3D DRAWINGS AND ILLUSTRATIONS . . . . . 9**

- 2" OD, 2.5" OD  
AND CUSTOM BUTTON SPACING. . . . .9
- SIDE TO STL EMBED WELDED . . . . .10
- SIDE TO STL STRINGER WELDED. . . . . 12
- SIDE TO STL DRILL & TAP. . . . .14
- SIDE MOUNT TO CONCRETE . . . . . 16
- BUTTON DESIGNS . . . . .18

**AUXILLARY RAILINGS . . . . . 22**

**LED RAILINGS . . . . . 23**

# CONTENT

# PRODUCT DESCRIPTION

Discover the timeless elegance and proven reliability of the Livers Bronze Button Railing System – a hallmark of architectural sophistication that has graced countless projects across the USA. This innovative system seamlessly marries form and function, utilizing a combination of various glass thicknesses and button sizes to achieve a code-compliant handrail that effortlessly blends safety with style. The result is a visually striking and structurally sound solution that has stood the test of time. Renowned for its versatility and enduring design, the Livers Bronze Button Railing System is the go-to choice for architects and designers seeking a perfect balance between compliance and aesthetic appeal. Elevate your project with a touch of Livers Bronze excellence – where tradition meets innovation.



CONTENT

4



[www.liversbronze.com](http://www.liversbronze.com)



[Railings@LiversBronze.com](mailto:Railings@LiversBronze.com)



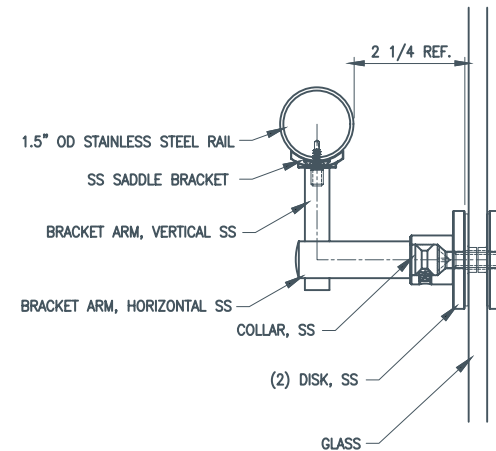
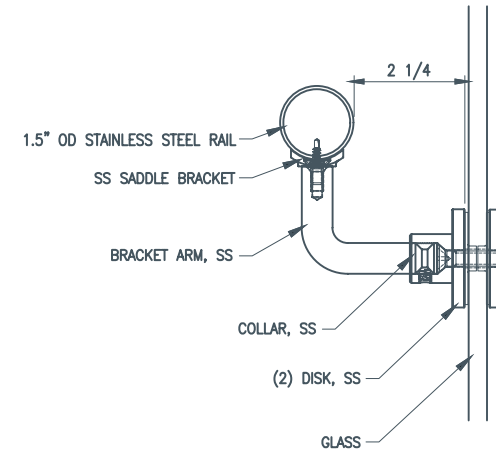
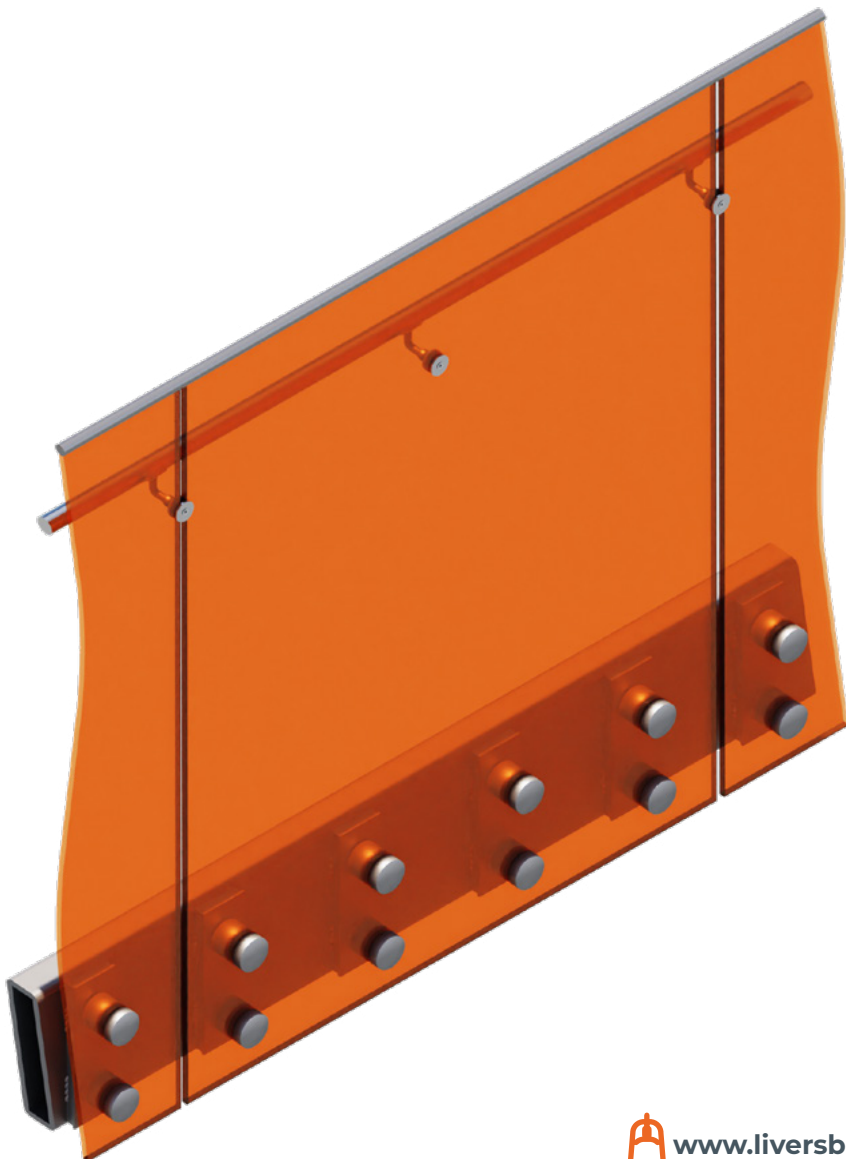
816-300-2828





# PRODUCT DESCRIPTION

## BRACKETS



[www.liversbronze.com](http://www.liversbronze.com)



[Railings@LiversBronze.com](mailto:Railings@LiversBronze.com)



816-300-2828

CONTENT

5

# PRODUCT DESCRIPTION

	MATERIAL	FINISH	SIZE AND SPACING
BUTTON	<p>Stainless steel 2-1/2" diameter</p> <p>Stainless Steel 2" diameter</p>	<p>#4 or #6 Satin, #7 Polished, Powder Coated or Blackened</p> <p>Plated Bronze - #4 Satin, #7 Polished, Antique finish, all with clear lacquer</p>	<p>Spacing determined by glass thickness</p> <p>Mounted to embedded steel, steel stair tubes/channels and concrete</p>
GLASS	<p>Laminated Glass</p>	<p>Clear, Tinted, Frosted, Frit and Colored Interlayers</p>	<p>9/16" laminated glass, 11/16" laminated glass or 13/16" laminated glass.</p> <p>Glass laminated using .060 SGP or similar interlayer</p>
TOP RAILING	<p>Stainless Steel channel cap</p> <p>Bronze channel cap</p> <p>Hardwood top railings are available in all species of wood</p>	<p>#4 or #6 Satin, #7 Polished, Powder Coated or Blackened</p> <p>#4 Satin, #7 Polished, Antique finish, all with clear lacquer</p> <p>Sanded only – final staining and finishing is not included</p>	<p>3/4" or 1" tall cap railing channel</p> <p>Round, square and complex profiles are available</p>

CONTENT

6



[www.liversbronze.com](http://www.liversbronze.com)



[Railings@LiversBronze.com](mailto:Railings@LiversBronze.com)



816-300-2828

# PRODUCT DESCRIPTION

	MATERIAL	FINISH	SIZE AND SPACING
HAND RAIL	Stainless Steel Tube, Bar, Steel Bar	#4 or #6 straight grain, #6 circular grain, #7 polished, Powder Coat, Blackened	1.5" diameter tube, 2" diameter tube Stainless Steel and Steel Bars in all available sizes 1.5" diameter tube with linear LED lighting 1.5" diameter with Individual LED Puck lighting Square tubes, rectangular tubes, oval tubes are available
	Bronze	#4 Satin / Lacquered Polished / Lacquered Antique / Lacquered	Bronze round tubes, square tubes, rectangular tubes, bars and traditional shaped bronze extrusions. LED bronze railings are available
	Hardwood hand railings are available in all species of wood.	Sanded only – final staining and finishing is not included	Round, square and complex profiles are available. Handrail diameter minimum is 1.75" unless a metal sub-railing is provided



# PRODUCT DESCRIPTION

## 2" OD, 2.5" OD AND CUSTOM BUTTON SPACING

TAKEN FROM THE CENTER OF THE TOP BUTTON VERTICALLY TO THE TOP OF THE GLASS

NO SEAM MOUNTING ALLOWED FOR BUTTONS

ASSUMED TO BE THE HALF DISTANCE OF THE BUTTON SPACING

GLASS COMPOSITION	HEIGHT OF GLASS	BUTTON SPACING	EDGE DISTANCE
9/16" SGP LAMI GLASS	45	21	10.5
	47	19	9.5
	49	18	9
	51	15	7.5
	53	14	7
	55	12	6
11/16" SGP LAMI GLASS	45	46	23
	47	44	22
	49	42	21
	51	39	19.5
	53	37	18.5
	55	35	17.5
13/16" SGP LAMI GLASS	45	53	26.5
	47	50.5	25.25
	49	48.5	24.25
	51	46.5	23.25
	53	45	22.5
	55	43	21.5

CONTENT

8



[www.liversbronze.com](http://www.liversbronze.com)



[Railings@LiversBronze.com](mailto:Railings@LiversBronze.com)

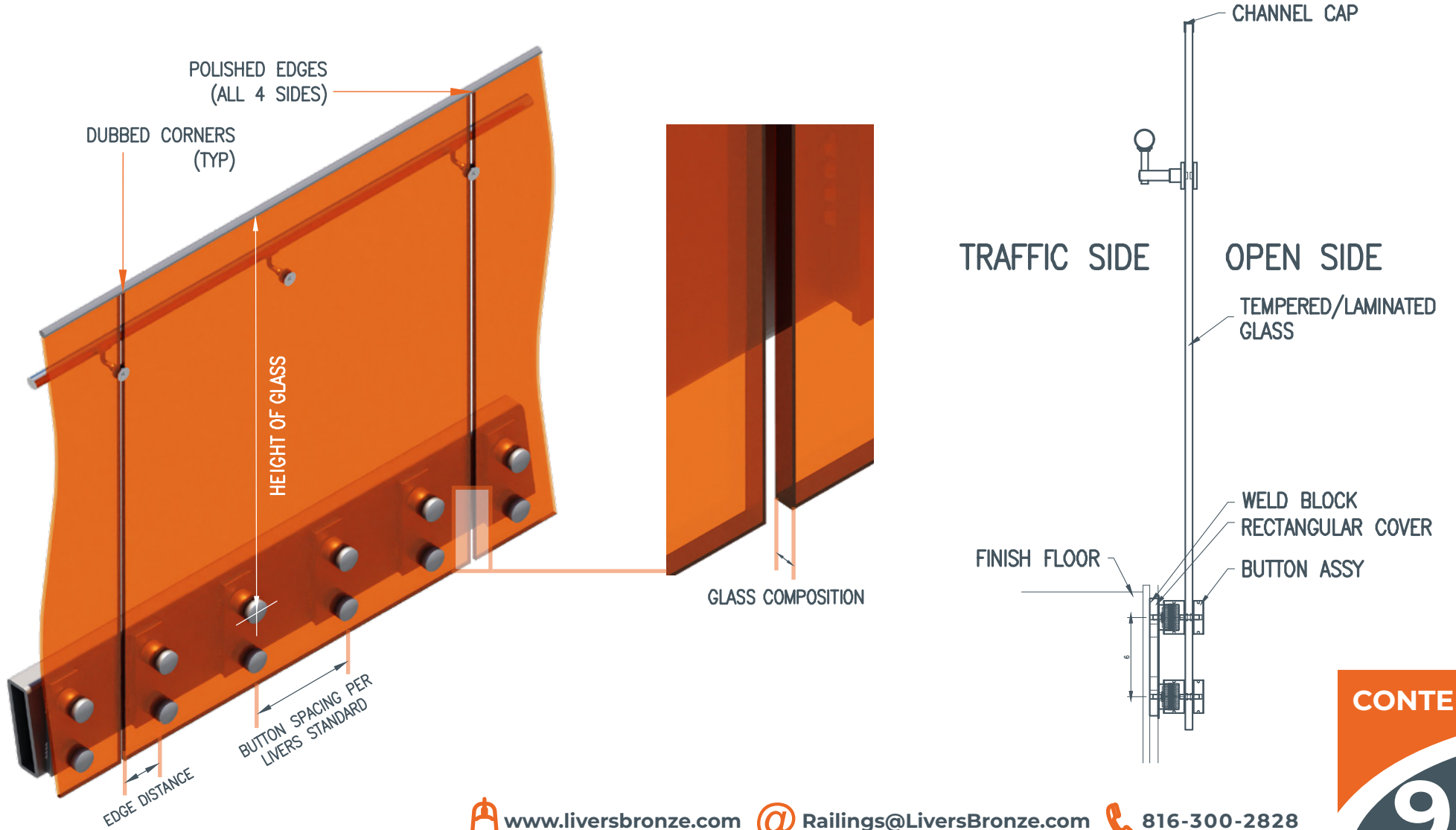


816-300-2828



**Button Railing**

**2" DIAMETER, 2.5" DIAMETER AND CUSTOM BUTTON SPACING**



**Button  
Railing**

**SIDE MOUNTED  
TO STEEL EMBEDDED PLATE**

**Johnson City, NY**

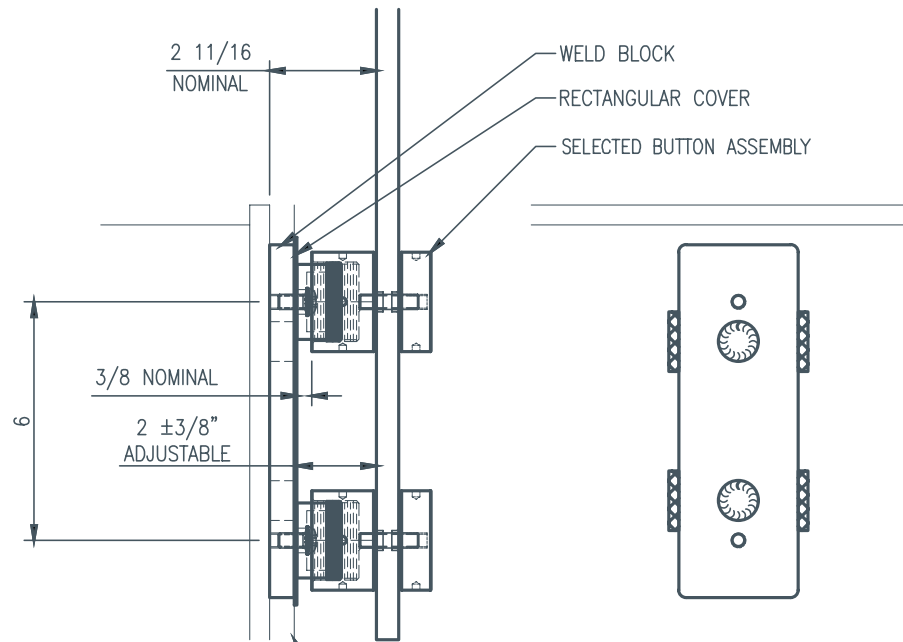
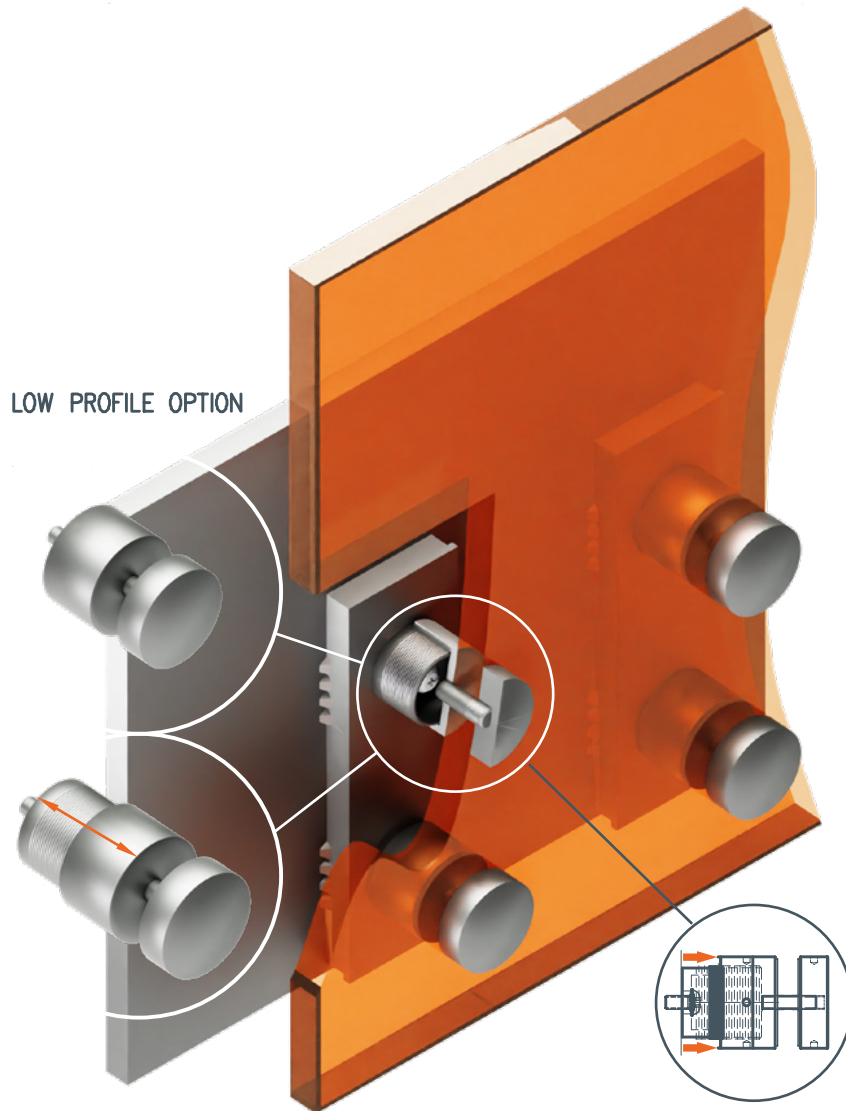


**CONTENT**

**10**

**LIVERS  
BRONZE**

**TO STEEL EMBEDDED PLATE**



LIVERS BRONZE LLC RECOMMENDS 1/2" THICK (MINIMUM) STRUCTURAL STEEL (BY OTHERS) TO LIMIT DEFLECTION. THE DESIGN AND PLACEMENT OF THE STEEL (BY OTHERS) SHALL BE LEVEL AND PLUMB.





# Button Railing

# SIDE MOUNTED TO STEEL STRINGER

Tyler, TX

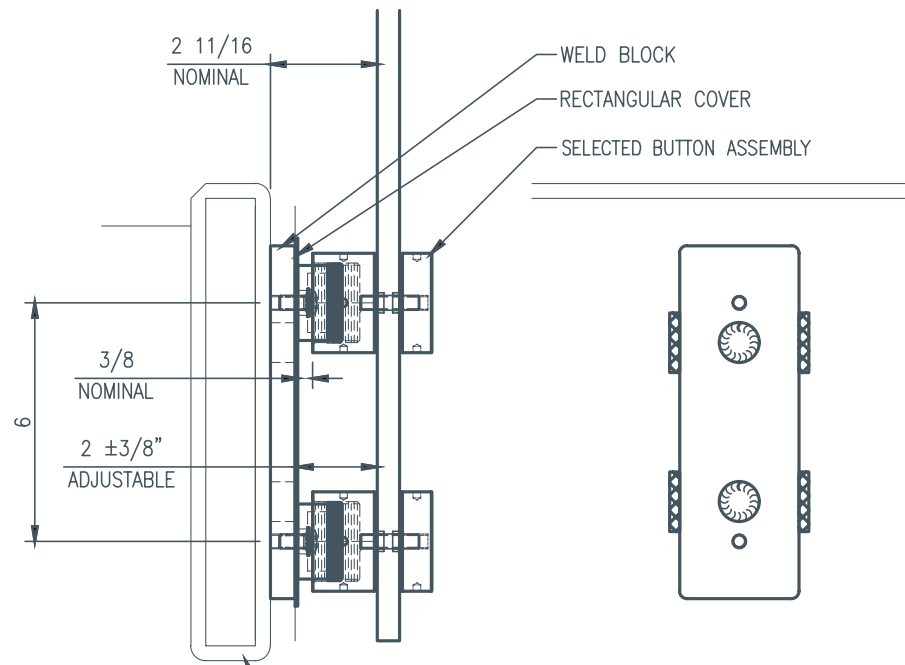
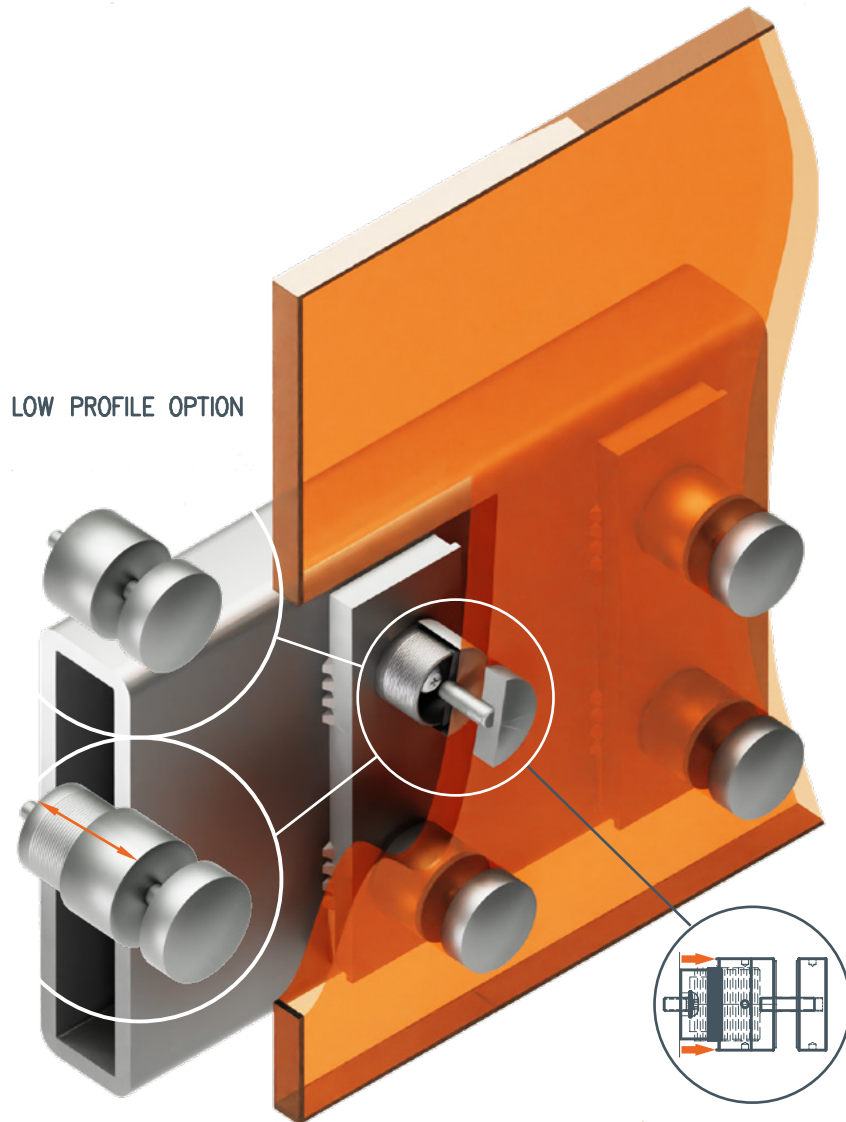


CONTENT

12

**LIVERS**  
**BRONZE**

**TO STEEL STRINGER**



LIVERS BRONZE LLC RECOMMENDS 3/8" THICK (MINIMUM) STRUCTURAL STEEL TUBE (FOR TUBING ONLY)(BY OTHERS). THE DESIGN AND PLACEMENT OF THE STAIRS (BY OTHERS) SHALL BE LEVEL AND PLUMB.





Button  
Railing

SIDE MOUNTED  
TO STEEL - DRILL AND TAP

Chilicothe, MO

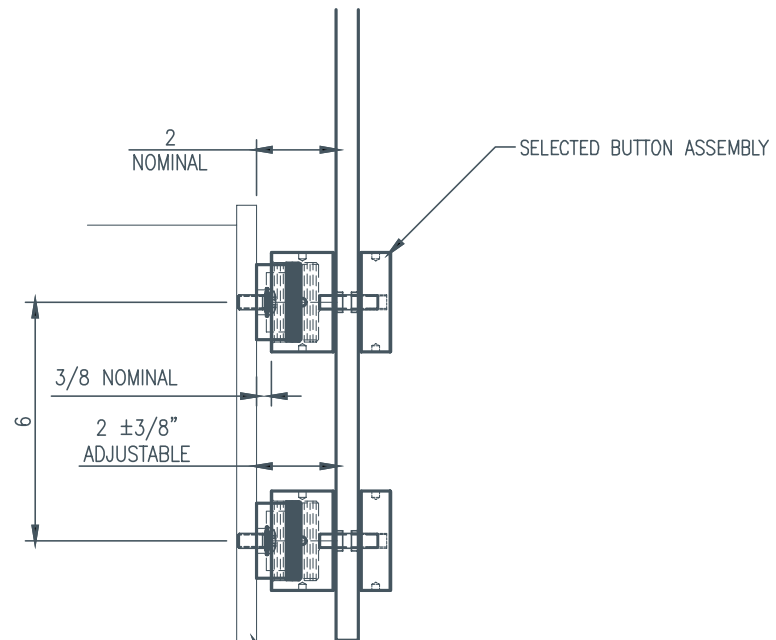
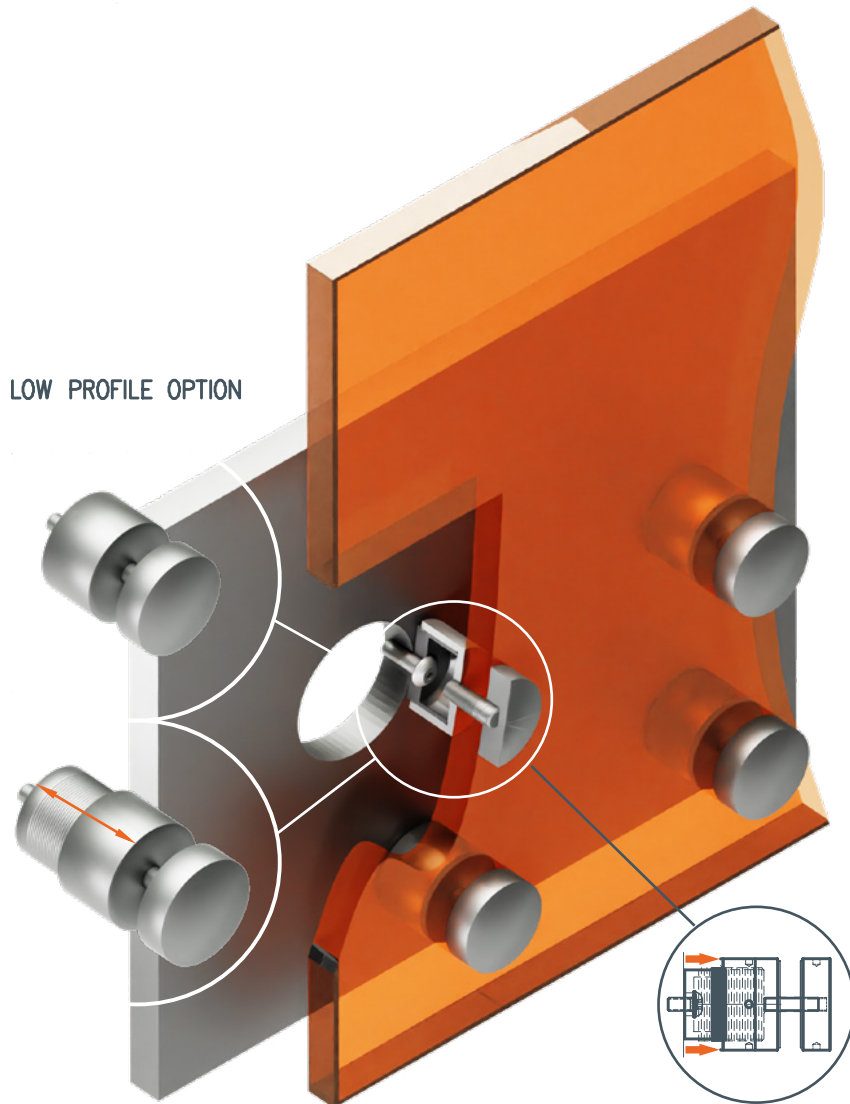


CONTENT

14



## TO STEEL - DRILL AND TAP



LIVERS BRONZE LLC RECOMMENDS 1/2" THICK (MINIMUM) STRUCTURAL STEEL (BY OTHERS) TO LIMIT DEFLECTION. THE DESIGN AND PLACEMENT OF THE STEEL (BY OTHERS) SHALL BE LEVEL AND PLUMB.



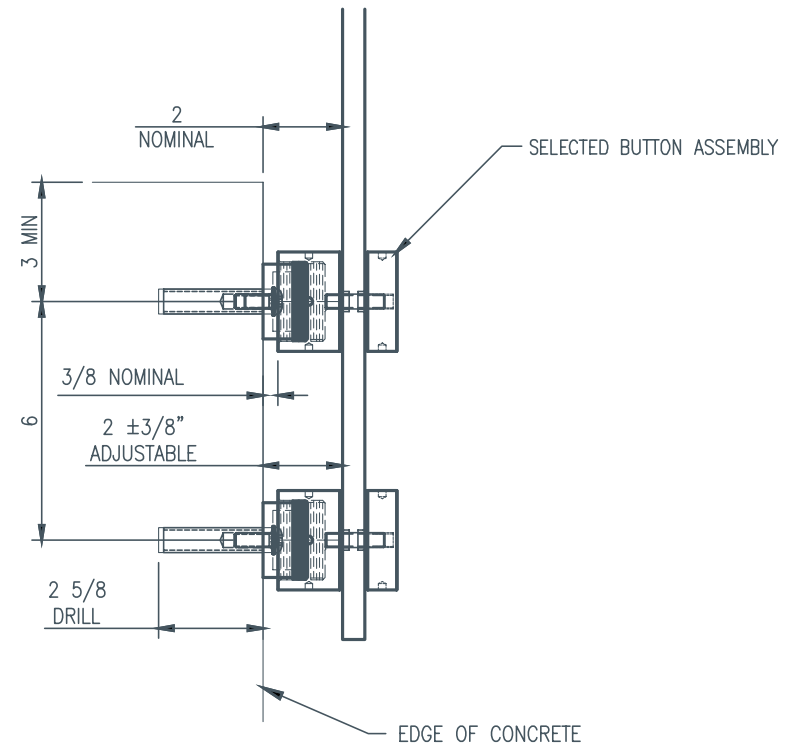
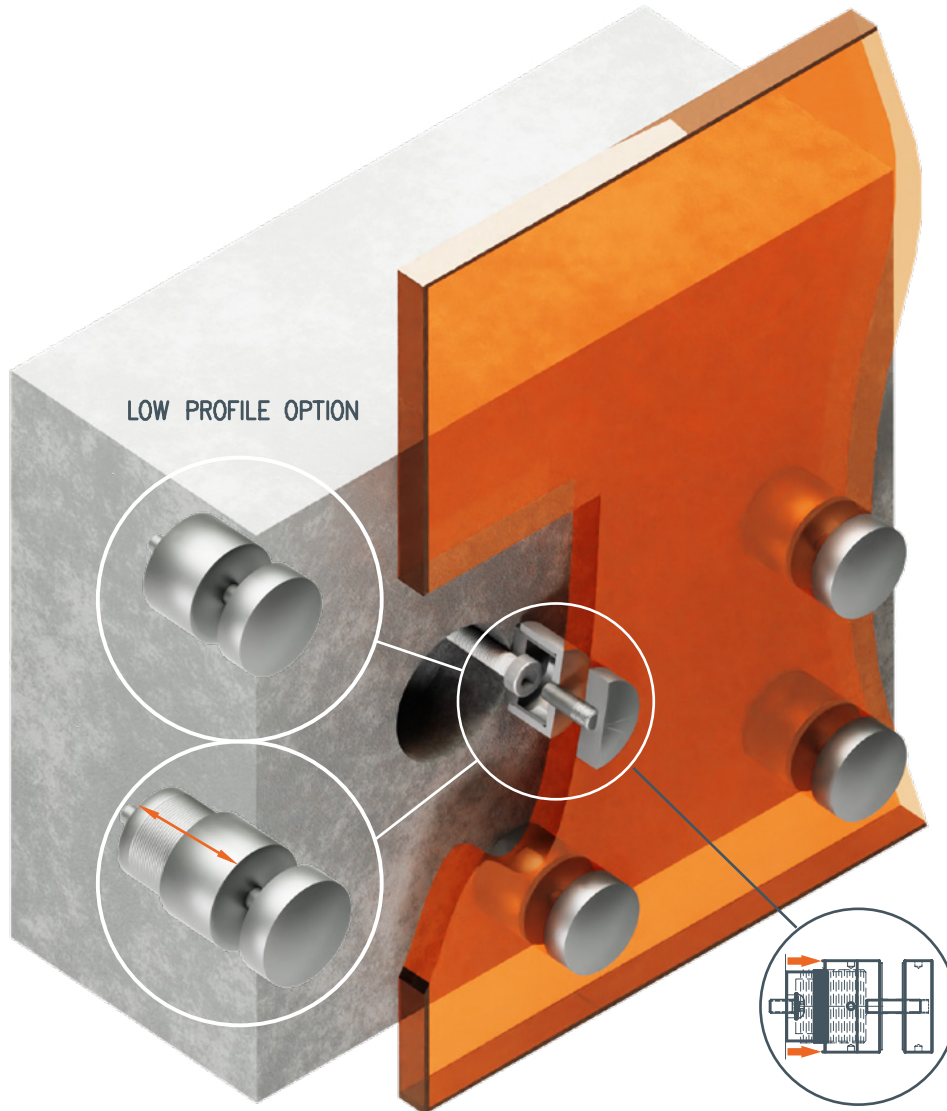
Button Railing

SIDE MOUNT TO CONCRETE



CONTENT





# Button Railing

## BUTTON DESIGNS

Cleveland, OH



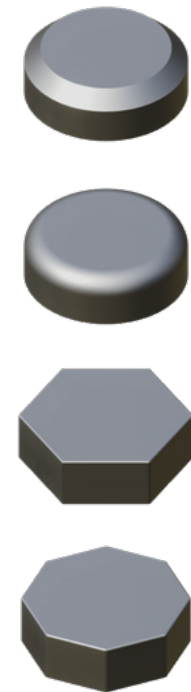
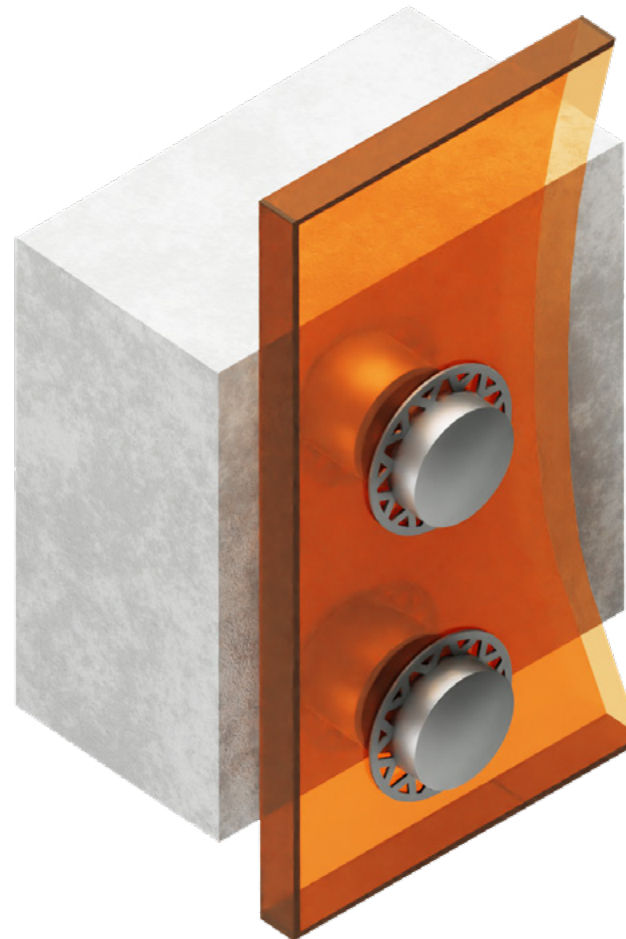
CONTENT

18





Take a look at this optional stainless steel pierced trim ring for the Livers Bronze Button Railing system. This sleek and elegant addition enhances the visual appeal of the railing, offering a touch of sophistication to the space. Crafted with precision and attention to detail, the trim ring seamlessly complements the modern design aesthetic of the Button Railing system while providing an extra layer of refinement. Elevate your railing experience with this stylish accessory from Livers Bronze. The design of the ring can be totally up to you or contact Livers Bronze for various design options.



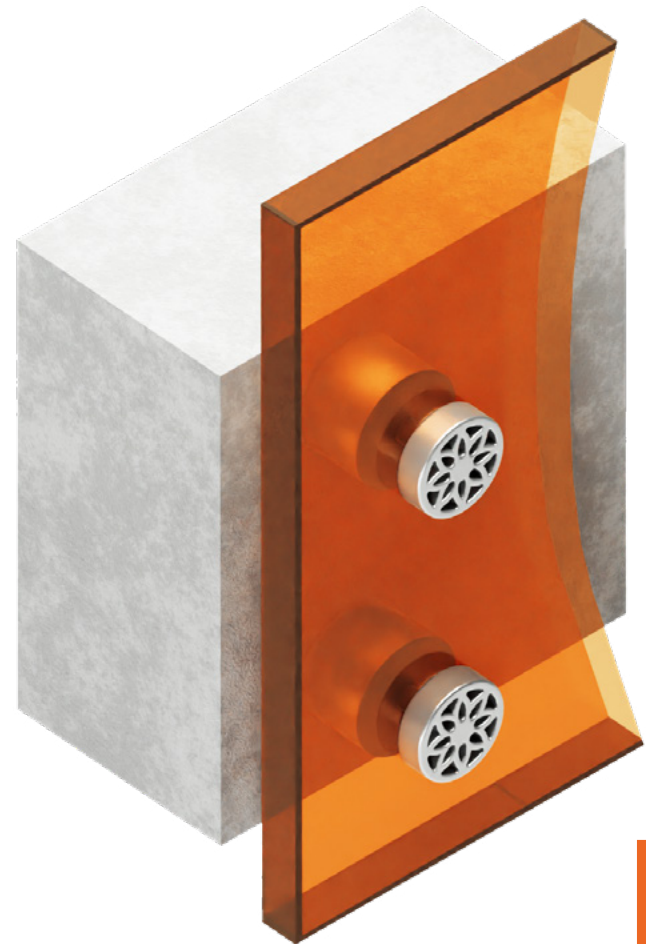
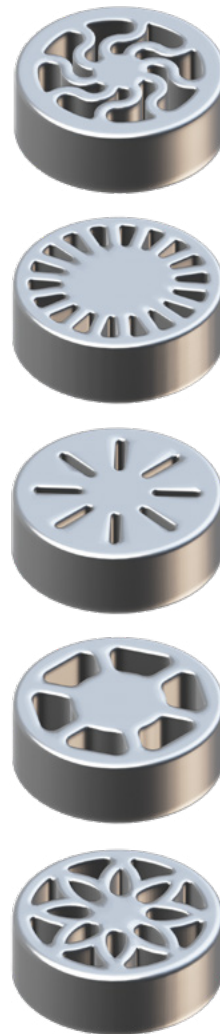
# Button Railing

# BUTTON DESIGNS





The Button Railing system now allows customization through the innovative ability to thru-pierce stainless steel buttons. This feature allows for unparalleled personalization, enabling architects and designers to infuse their railing designs with unique patterns, logos, or branding elements. By seamlessly integrating custom thru-pierced buttons, the Button Railing system allows for creative expression and individuality, empowering designers to create railing solutions that are as distinctive as they are functional.



# PRODUCT DESCRIPTION

# AUXILLARY RAILINGS

Livers Bronze Single Line Railings and Wall Mounted Railings are the obvious companions to any project. Available in all metals and finishes these railings are fabricated to perfectly match the companion railing system. Multiple mounting options for both interior and exterior applications make these railings useful and required throughout your project. To push these railings to another level consider using Livers Bronze ILLUME LED railings – you can customize the layout any way that suits your project requirements. All Livers Bronze railings are made in the USA from the industry leader with over 75 years of experience.

Free standing, Wall mounted, Loop railings, Step railings, Site railings, Single line railings, ramp railings, ADA railings, Cane railings and Double line railings are all available.



CONTENT

22



[www.liversbronze.com](http://www.liversbronze.com)



[Railings@LiversBronze.com](mailto:Railings@LiversBronze.com)



816-300-2828

# PRODUCT DESCRIPTION

# LED RAILINGS



What makes LED railings from Livers Bronze truly exceptional is their adaptability to all Livers Bronze railing systems. Whether these railings are freestanding, wall mounted or attached to another Livers Bronze Railing system - the LED railing can be effortlessly integrated. This seamless compatibility ensures that you can maintain design consistency throughout your project while enjoying the benefits of energy-efficient LED lighting. LED railings from Livers Bronze are available in linear form or individual puck lighting along with multiple beam spreads and color temperatures. For more information contact Livers Bronze – the specialist in all things railing.



[www.liversbronze.com](http://www.liversbronze.com)



[Railings@LiversBronze.com](mailto:Railings@LiversBronze.com)



816-300-2828

CONTENT

23



# Button Railing

# LED RAILINGS



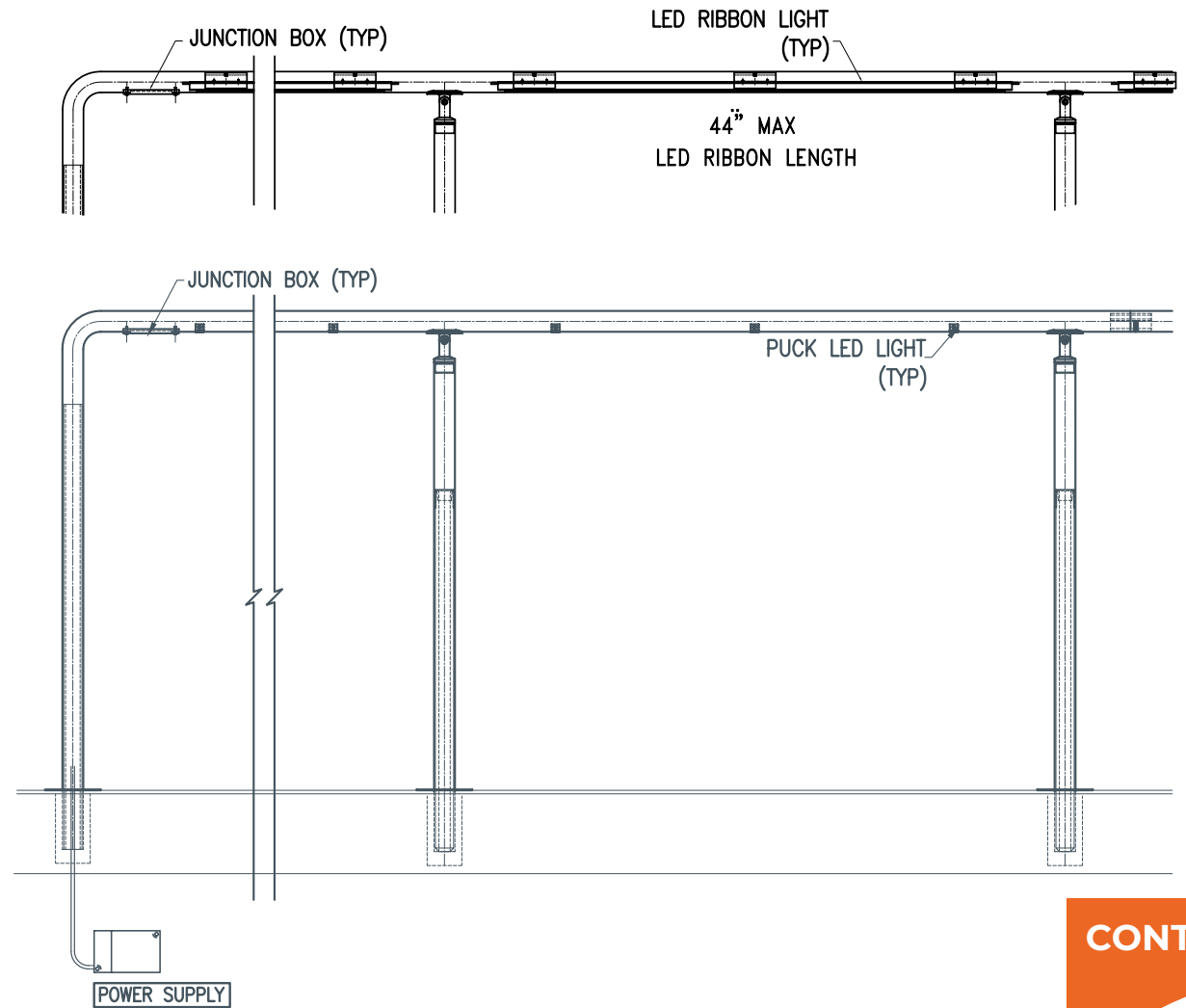
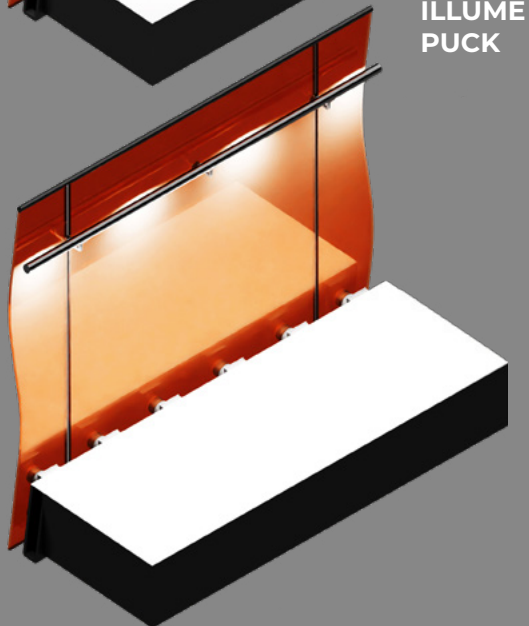
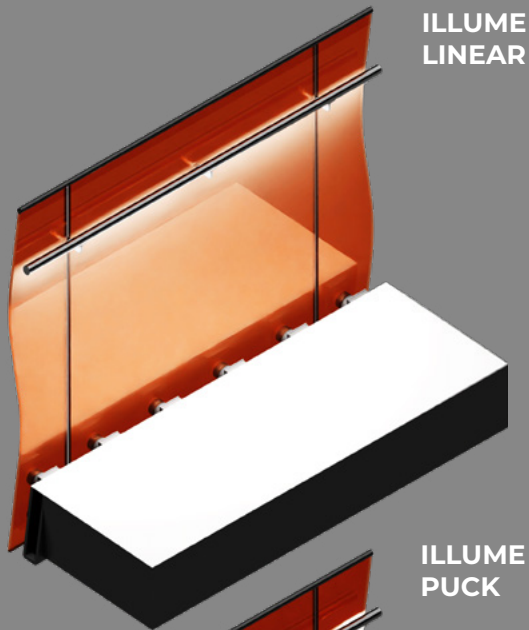
CONTENT

24



**Button  
Railing**

**LED RAILINGS**





**BUTTON  
SYSTEM**

**Livers Bronze LLC**

4621 East 75th Terrace  
Kansas City, MO 64132

**Phone:** 816-300-2828

[www.liversbronze.com](http://www.liversbronze.com)

