



ICON SYSTEM

 **LIVERS**
BRONZE

CONTENT

PRODUCT DESCRIPTION 4

3D DRAWINGS

AND ILLUSTRATIONS 10

- **CORE-DRILLED CONCRETE 10**
- **TOP MOUNT TO CONCRETE 12**
- **SIDE MOUNT TO CONCRETE 14**
- **TOP MOUNT TO STEEL 16**
- **SIDE MOUNT TO STEEL 18**

- GLASS20
- WIRE MESH22
- PERF-PANEL24

AUXILLARY RAILINGS 26

LED RAILINGS 28

CONTENT

PRODUCT DESCRIPTION

The Livers Bronze ICON Railing system — is the epitome of sophistication and innovation in commercial railing design. Crafted with meticulous attention to detail and unparalleled craftsmanship, the ICON Railing system offers a seamless fusion of style, durability, and functionality. Choose from a diverse array of metal finishes, including timeless classics like brushed stainless steel and bold contemporary options like blackened steel or antique bronze, ensuring a perfect match for any architectural style. With a variety of handrail selections, from sleek round profiles to modern square designs, and customizable infill panels featuring tempered glass, perforated metal, or decorative mesh, the ICON Railing system allows for endless possibilities in customization. Elevate your space with the ICON Railing system and redefine excellence in commercial railing design.



CONTENT

4



www.liversbronze.com



Railings@LiversBronze.com



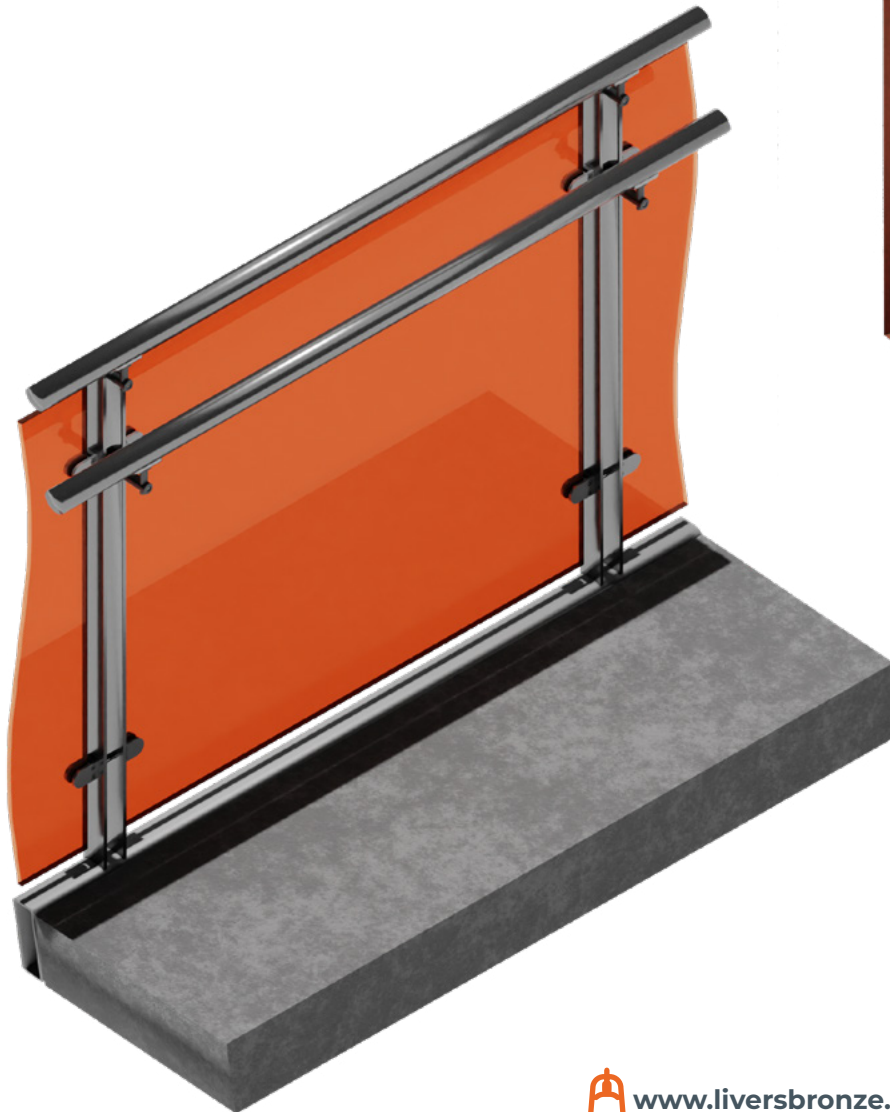
816-300-2828



PRODUCT DESCRIPTION

BRACKETS

FOR HAND RAIL ON ICON POSTS



CONTENT



www.liversbronze.com



Railings@LiversBronze.com



816-300-2828

5

Dayton, OH

Icon Railing

PRODUCT DESCRIPTION



CONTENT

6

LIVERS
BRONZE

PRODUCT DESCRIPTION

	MATERIAL	FINISH	SIZE AND SPACING
POST	<p>Stainless steel ¼" X 2" double bar post</p> <p>Steel ¼" X 2" double bar post</p>	<p>#4 or #6 Satin, #7 Polished, Powder Coated or Blackened</p>	<p>Double bar post – 48" o.c. Mounted to embedded steel, steel stair tubes/channels and concrete</p>
INFILL	Laminated / Tempered Glass	Clear, Tinted, Frosted, Frit and Colored Interlayers	7/16" laminated glass or 9/16" laminated glass. Glass laminated using .060 PVB or .060 SGP interlayer
	<p>Perforated Metal</p> <p>Woven Wire</p>	<p>#4 satin, Powder Coated or Blackened. Woven Wire is either mill finish or Powder coated.</p> <p>Frames for Perforated Metal and Woven Wire are non-directional satin or powder coated</p>	<p>Framed metal perforated panels are sized to fit between posts. Framed metal woven wire panels are sized to fit between posts.</p>
	Cut pattern designed metal panels	Powder coated aluminum or steel	Frameless panels are sized to fit between posts

CONTENT



www.liversbronze.com



Railings@LiversBronze.com



816-300-2828

7

PRODUCT DESCRIPTION

	MATERIAL	FINISH	SIZE AND SPACING
TOP RAILING	Stainless Steel 1.5" or 2" round and square tubes. Stainless steel rectangular tubes or bars.	#4 or #6 Satin, #7 Polished, Powder Coated or Blackened	Continuous Railing
	Bronze 2" Diameter Bronze extruded shapes	#4 Satin, #7 Polished, Antique finish, all with clear lacquer	
	Hardwood top railings are available in all species of wood.	Sanded only – final staining and finishing is not included	Round, square and complex profiles are available.

CONTENT

8



www.liversbronze.com



Railings@LiversBronze.com



816-300-2828

PRODUCT DESCRIPTION

	MATERIAL	FINISH	SIZE AND SPACING
HAND RAIL	Stainless Steel Tube	#4 or #6 straight grain, #6 circular grain, #7 polished, Powder Coat, Blackened	1.5" diameter tube, 2" diameter tube 1.5" diameter tube with linear LED lighting 1.5" diameter with Individual LED Puck lighting Square tubes, rectangular tubes, oval tubes are available
	Stainless Steel Bar, Steel Bar	#4 or #6 Satin, #7 Polished, Powder Coated or Blackened	Stainless Steel and Steel Bars in all available sizes
	Bronze	#4 Satin / Lacquered Polished / Lacquered Antique / Lacquered	Bronze round tubes, square tubes, rectangular tubes, bars and traditional shaped bronze extrusions. LED bronze railings are available
	Hardwood hand railings are available in all species of wood.	Sanded only – final staining and finishing is not included	Round, square and complex profiles are available. Handrail diameter minimum is 1.75" unless a metal sub-railing is provided

CONTENT



www.liversbronze.com



Railings@LiversBronze.com



816-300-2828

Icon Railing

CORE-DRILLED CONCRETE

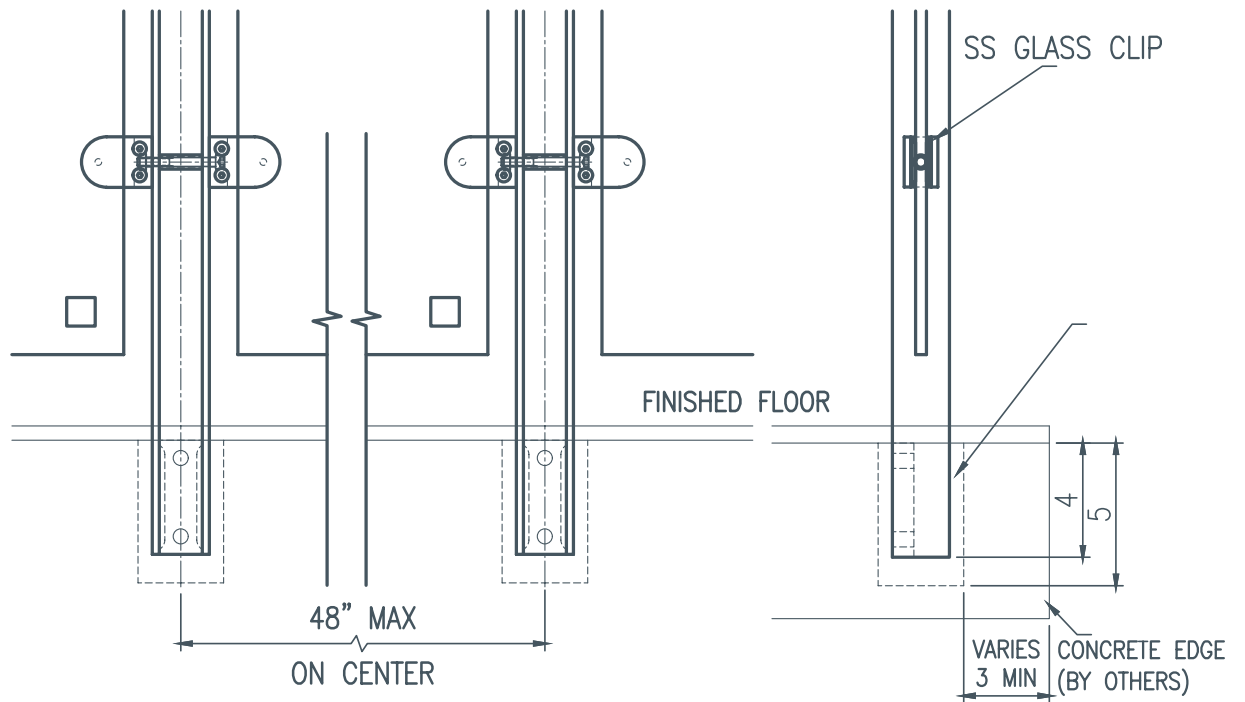
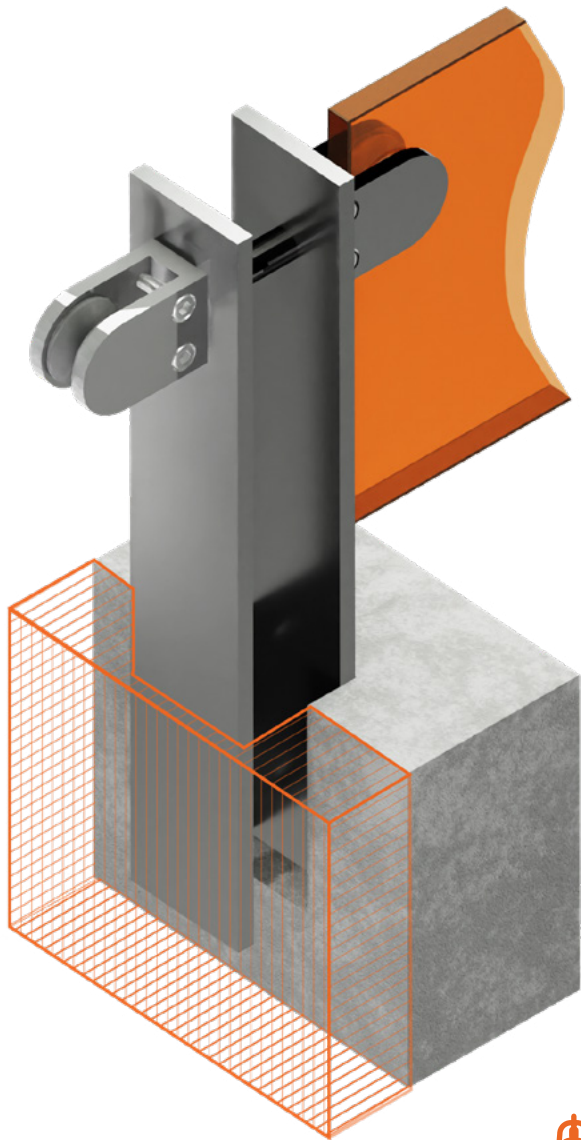
Urbandale, Iowa



CONTENT

10

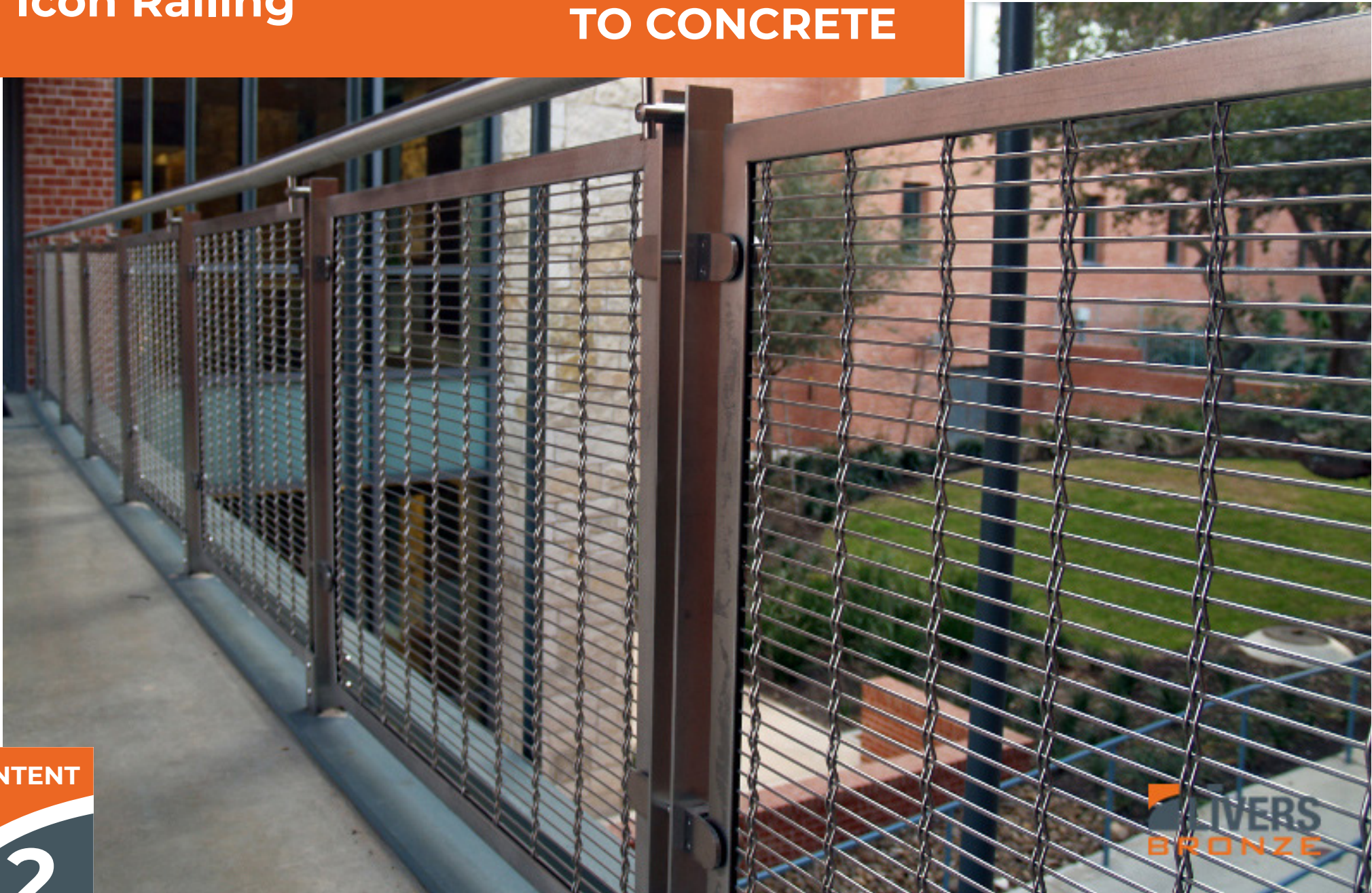




Icon Railing

TOP MOUNT TO CONCRETE

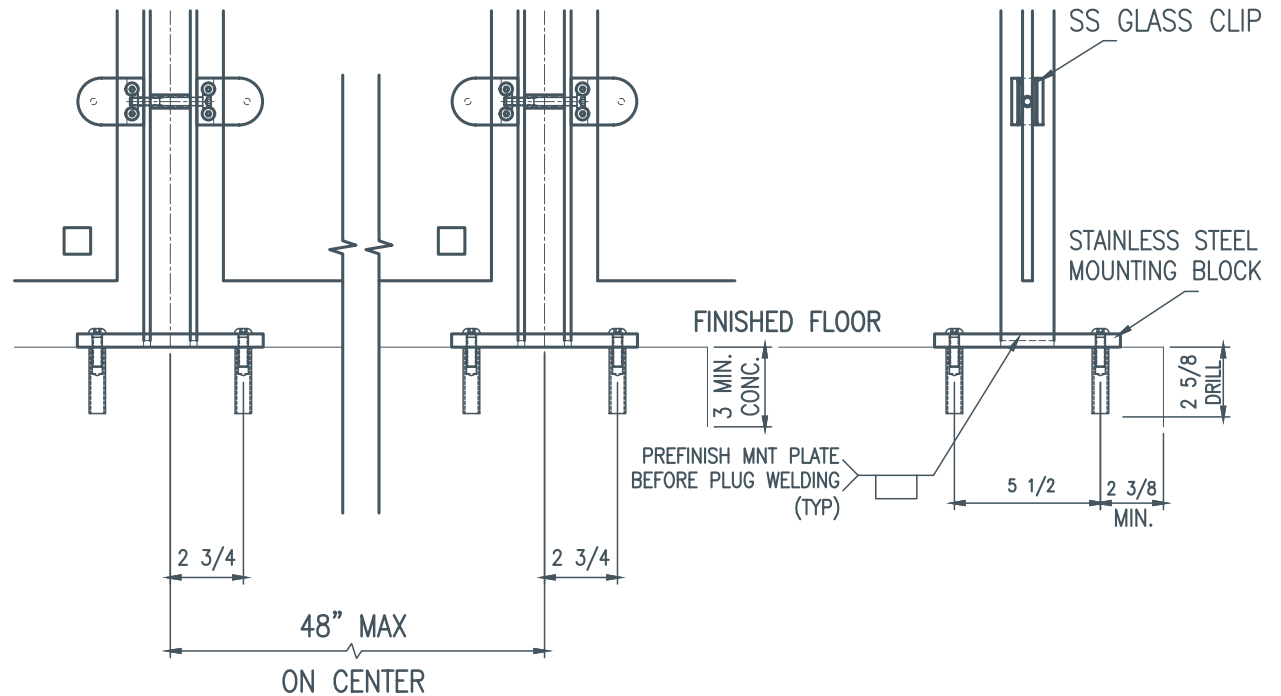
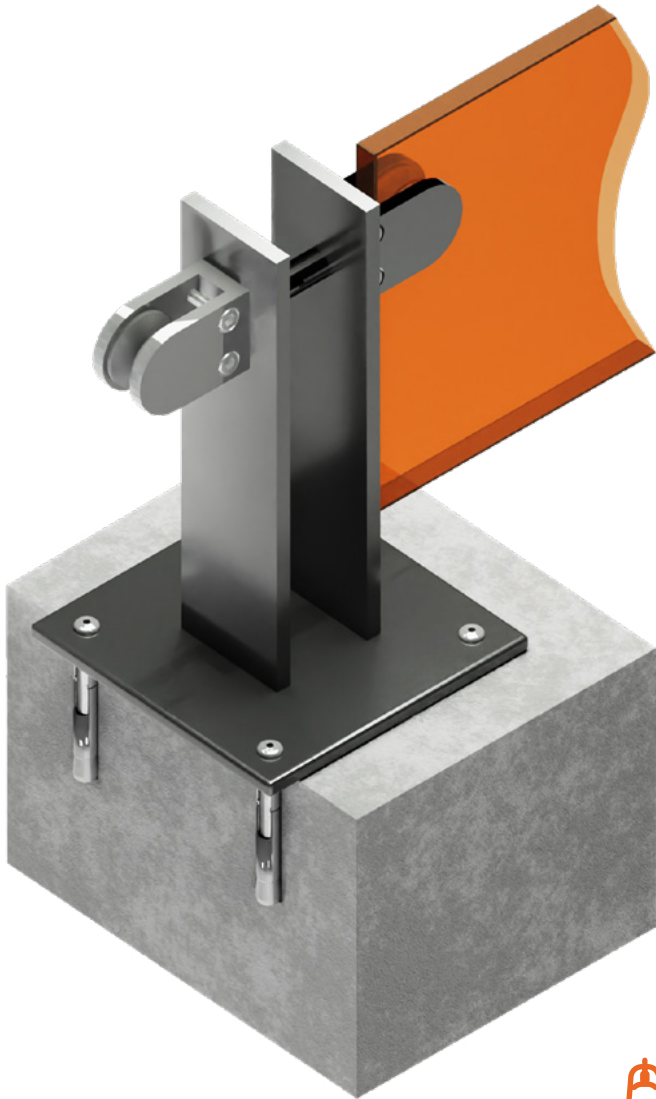
San Antonio, TX



CONTENT

12

IVERS
BRONZE



Icon Railing

SIDE MOUNT TO CONCRETE

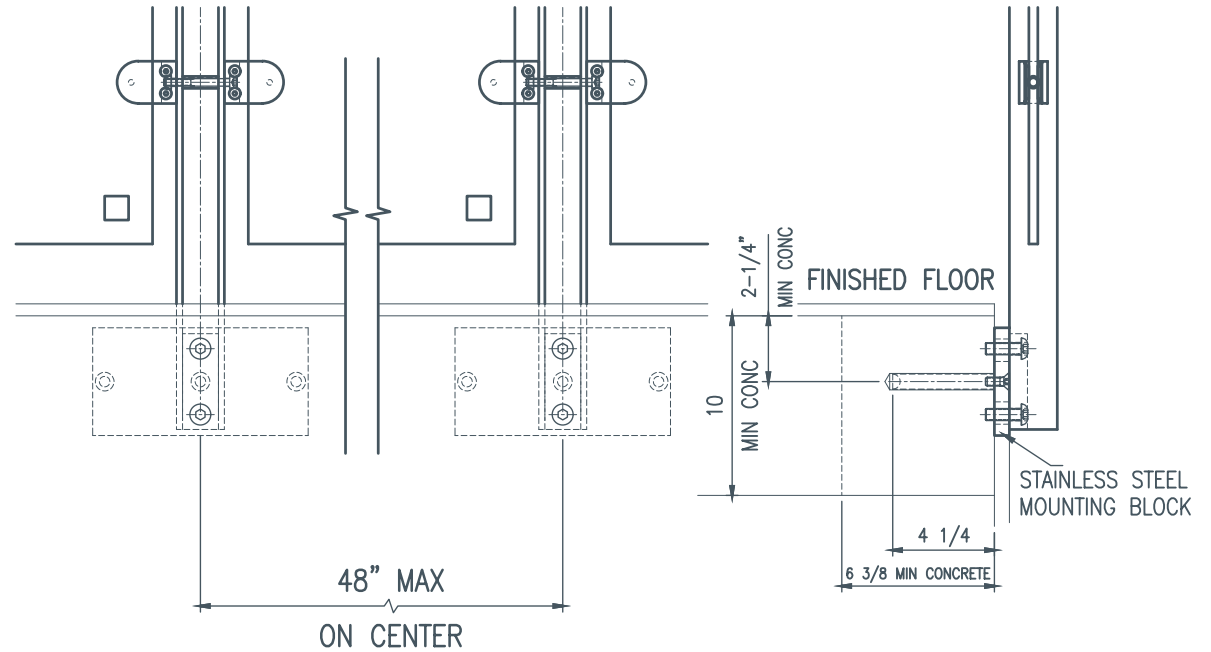
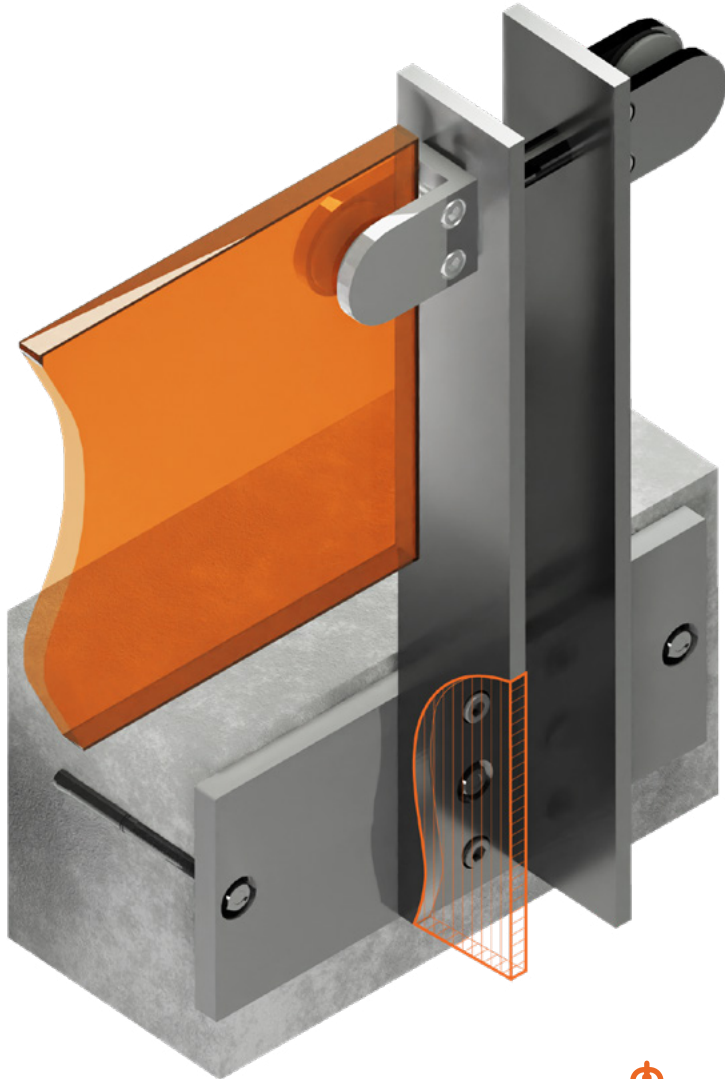
Cedar Park, TX



CONTENT

14

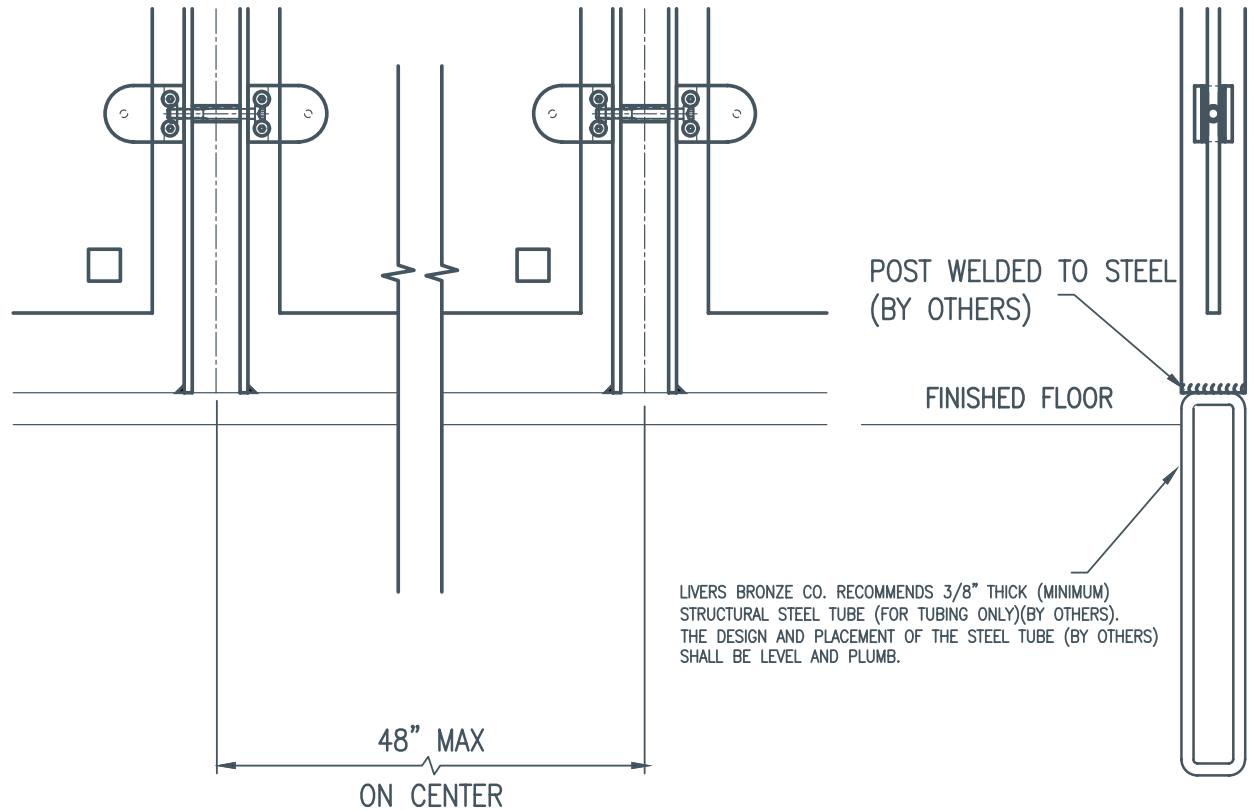
LIVERS
BRONZE



TOP MOUNT TO STEEL

Icon Railing

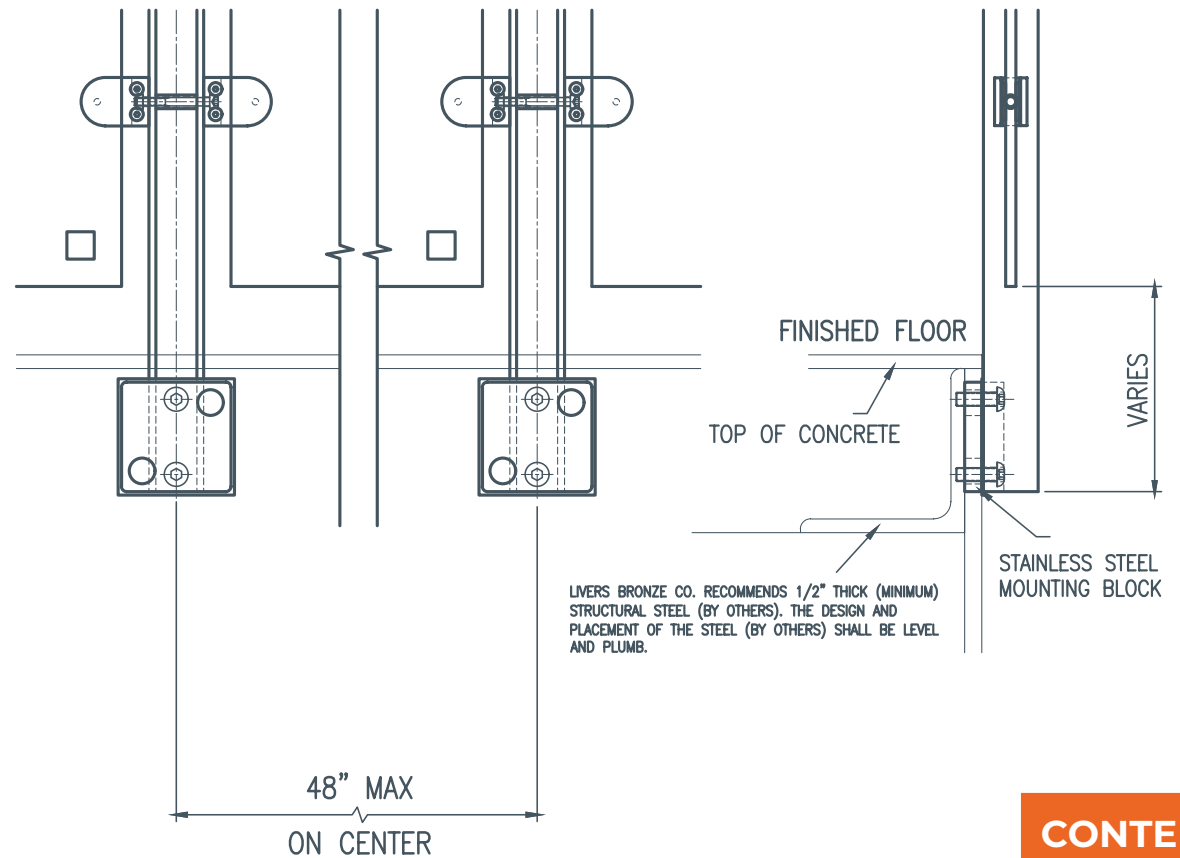
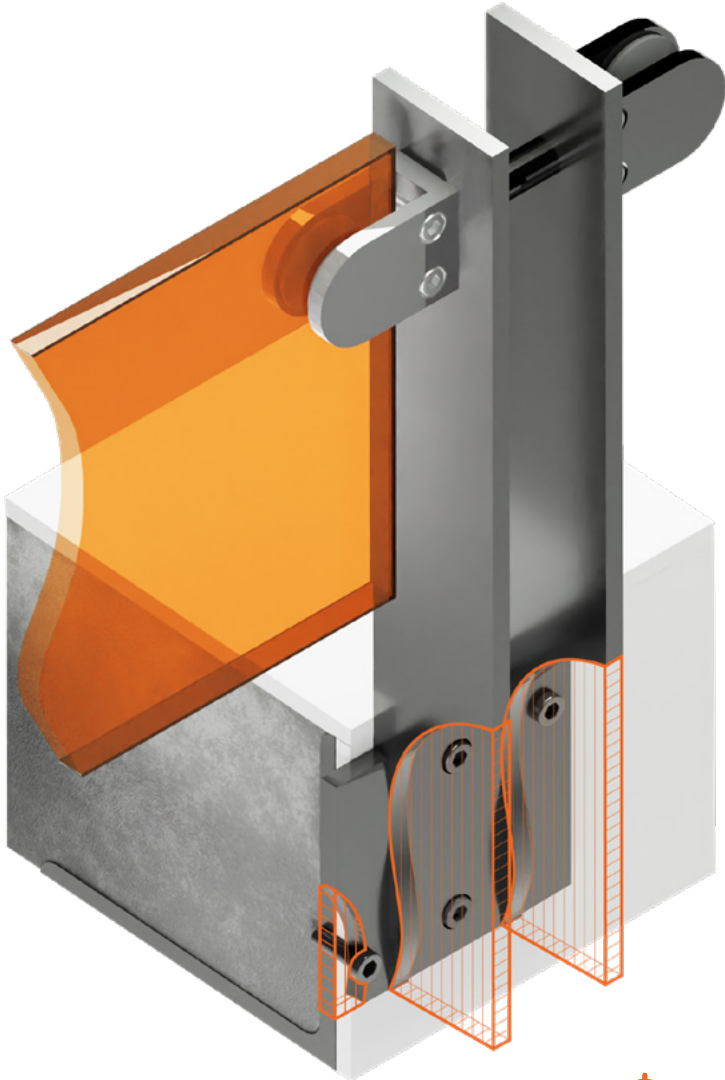




Icon Railing

SIDE MOUNT
TO STEEL





San Diego, CA

Icon Railing

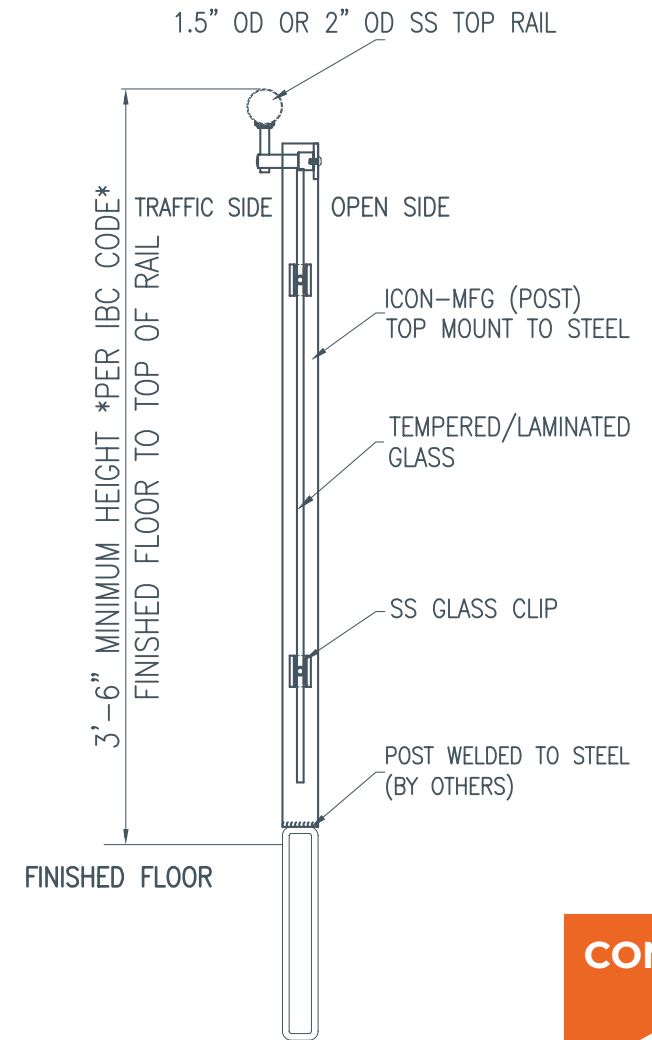
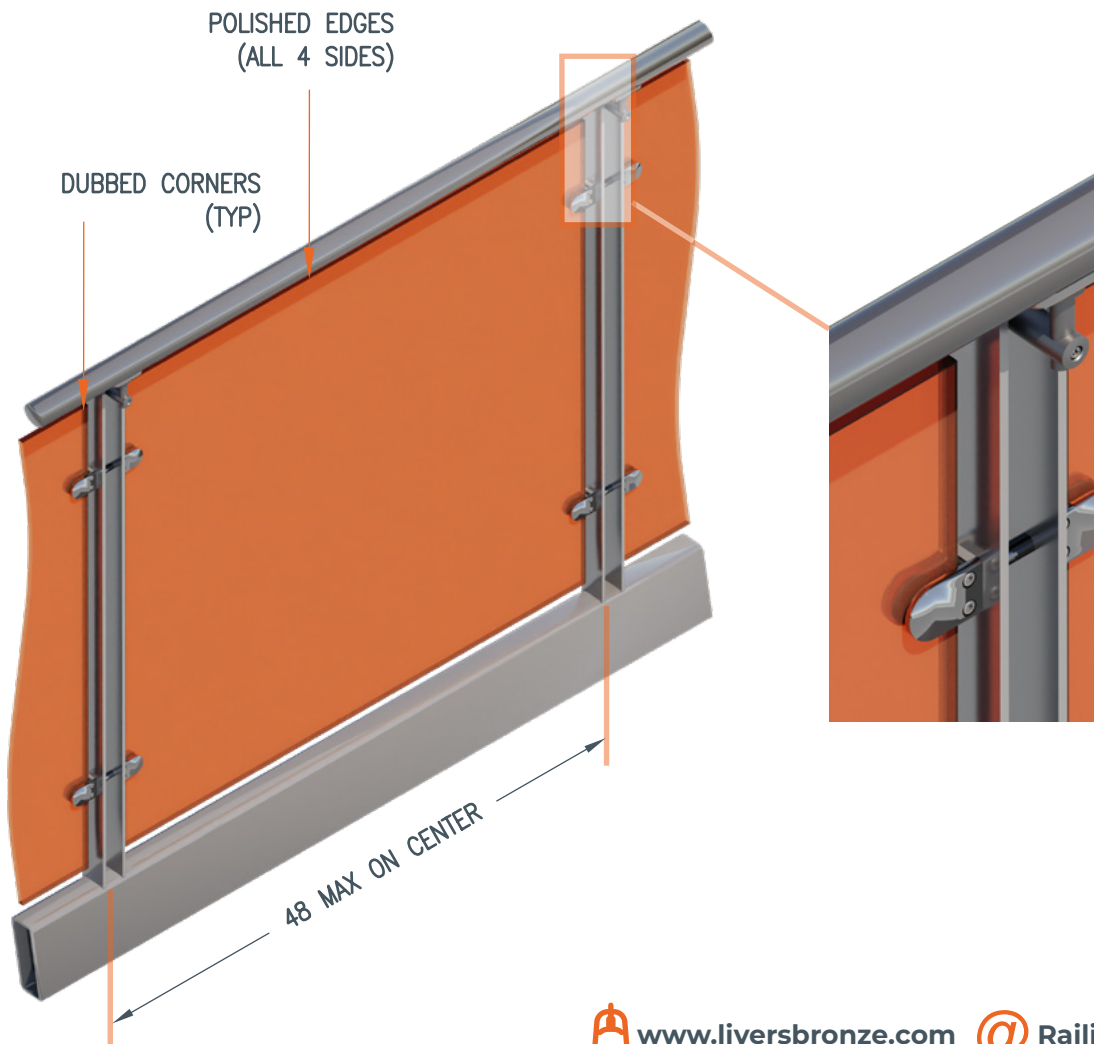
GLASS



CONTENT

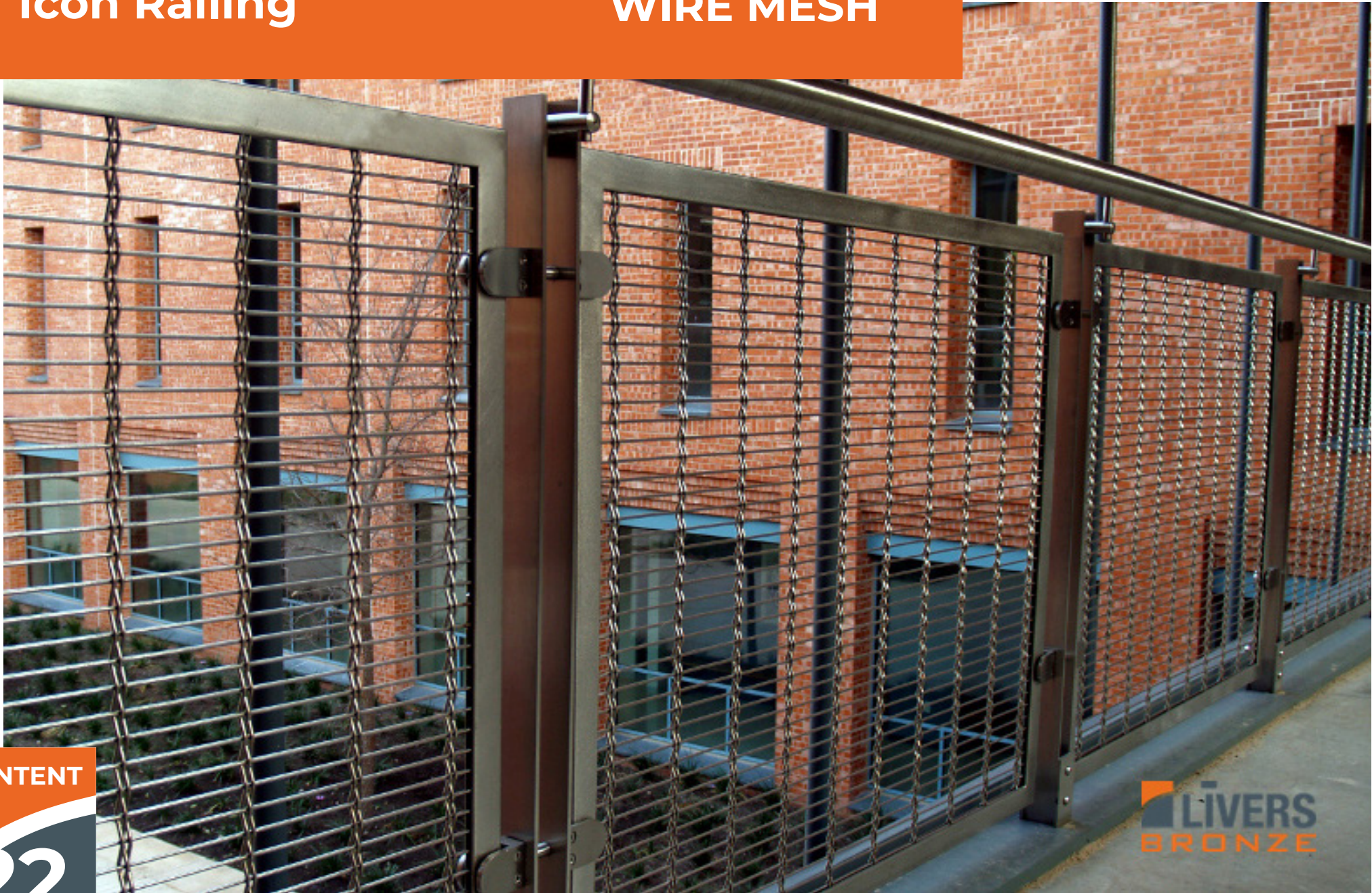
20

IVERS
BRONZE



Icon Railing

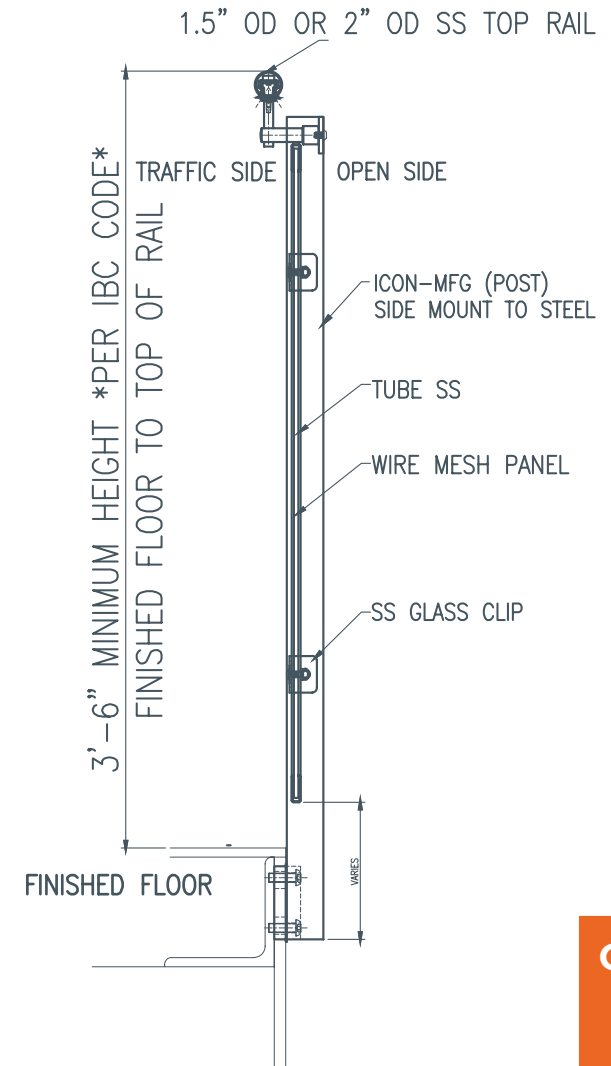
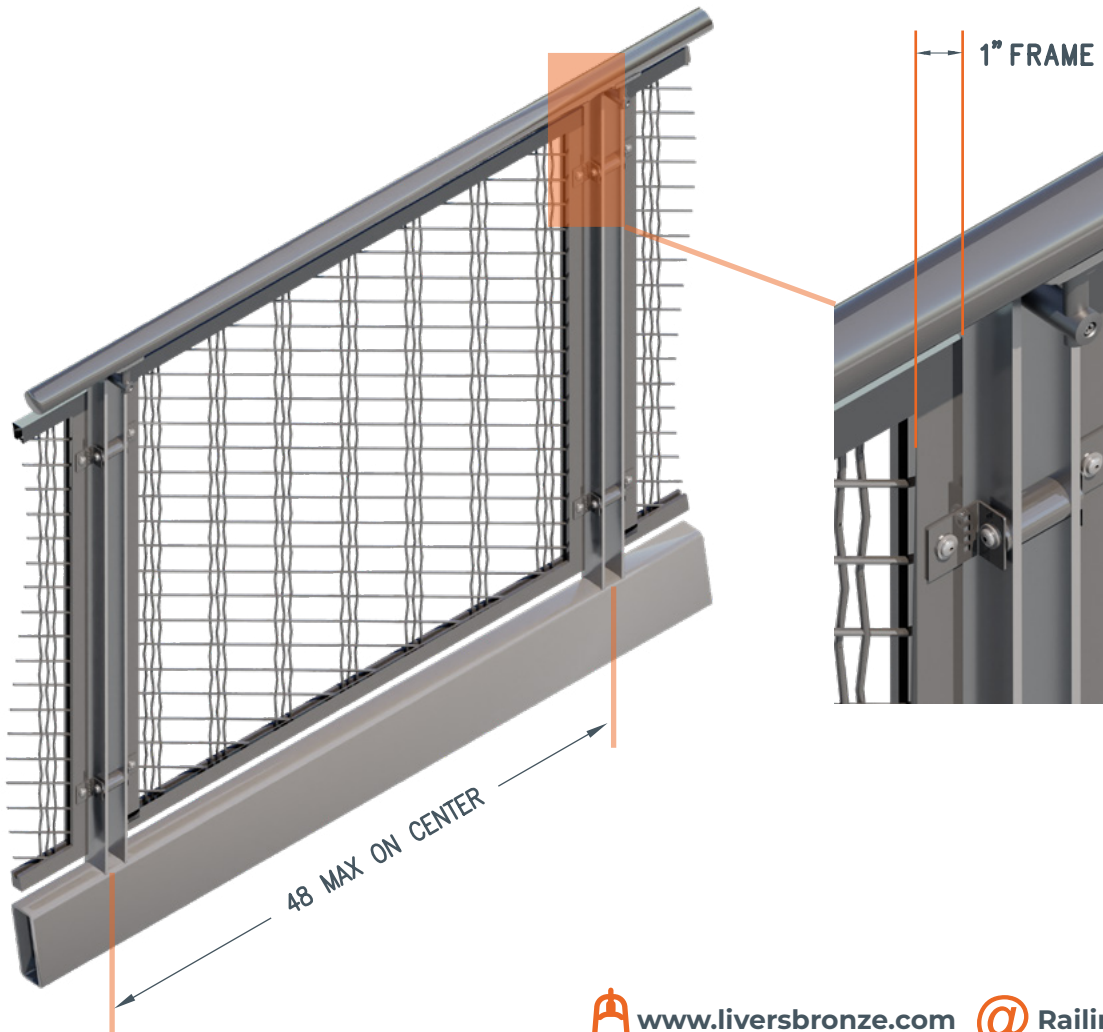
WIRE MESH



CONTENT

22





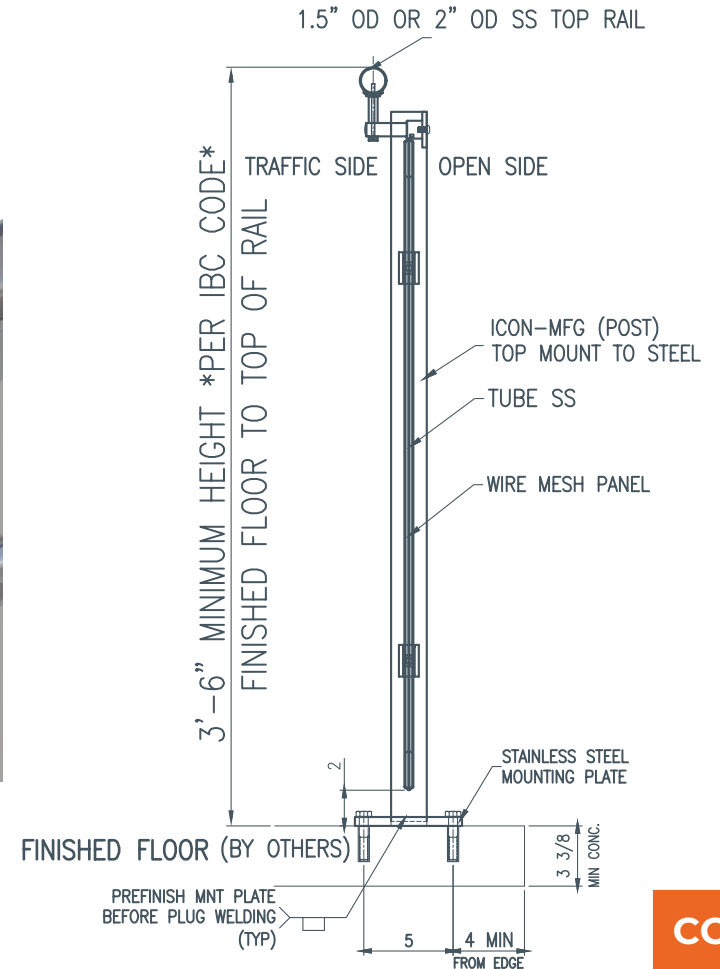
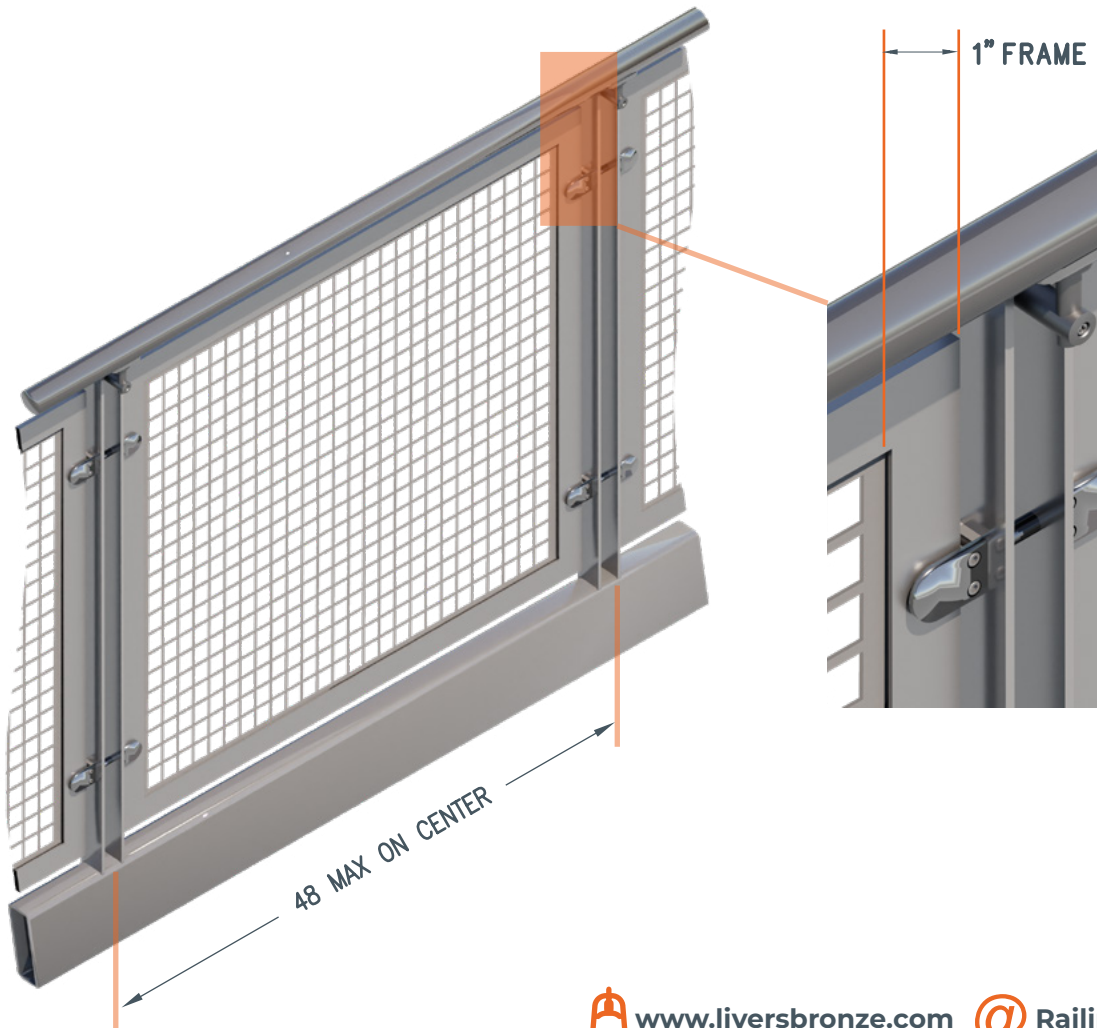
Icon Railing

PERF-PANEL



CONTENT

24



PRODUCT DESCRIPTION

AUXILLARY RAILINGS

Livers Bronze Single Line Railings and Wall Mounted Railings are the obvious companions to any project. Available in all metals and finishes these railings are fabricated to perfectly match the companion railing system. Multiple mounting options for both interior and exterior applications make these railings useful and required throughout your project. To push these railings to another level consider using Livers Bronze ILLUME LED railings – you can customize the layout any way that suits your project requirements. All Livers Bronze railings are made in the USA from the industry leader with over 75 years of experience.

Free standing, Wall mounted, Loop railings, Step railings, Site railings, Single line railings, ramp railings, ADA railings, Cane railings and Double line railings are all available.



CONTENT

26



www.liversbronze.com



Railings@LiversBronze.com



816-300-2828

PRODUCT DESCRIPTION

LED RAILINGS



What makes LED railings from Livers Bronze truly exceptional is their adaptability to all Livers Bronze railing systems. Whether these railings are freestanding, wall mounted or attached to another Livers Bronze Railing system - the LED railing can be effortlessly integrated. This seamless compatibility ensures that you can maintain design consistency throughout your project while enjoying the benefits of energy-efficient LED lighting. LED railings from Livers Bronze are available in linear form or individual puck lighting along with multiple beam spreads and color temperatures. For more information contact Livers Bronze – the specialist in all things railing.



www.liversbronze.com



Railings@LiversBronze.com



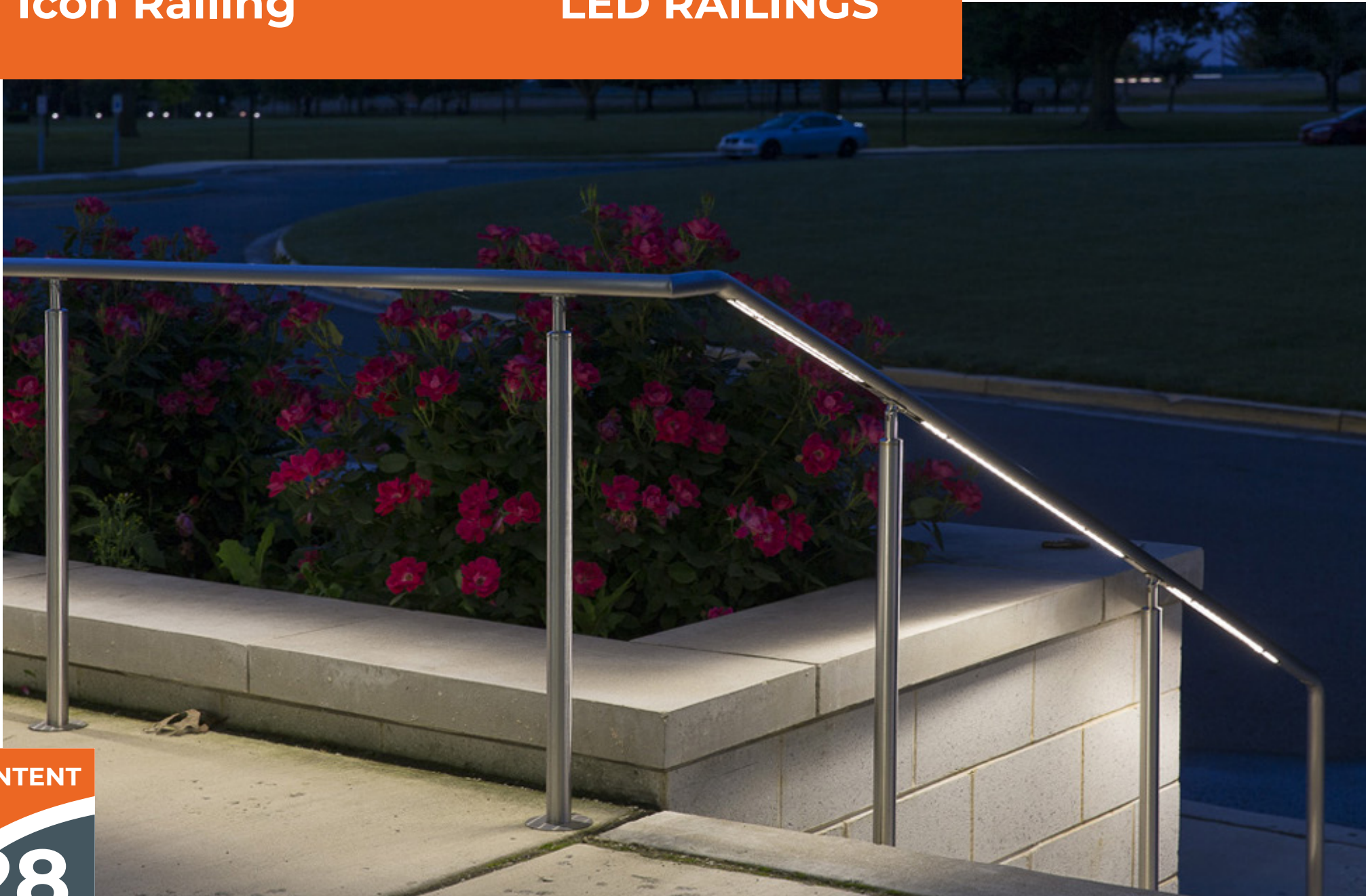
816-300-2828

CONTENT

27

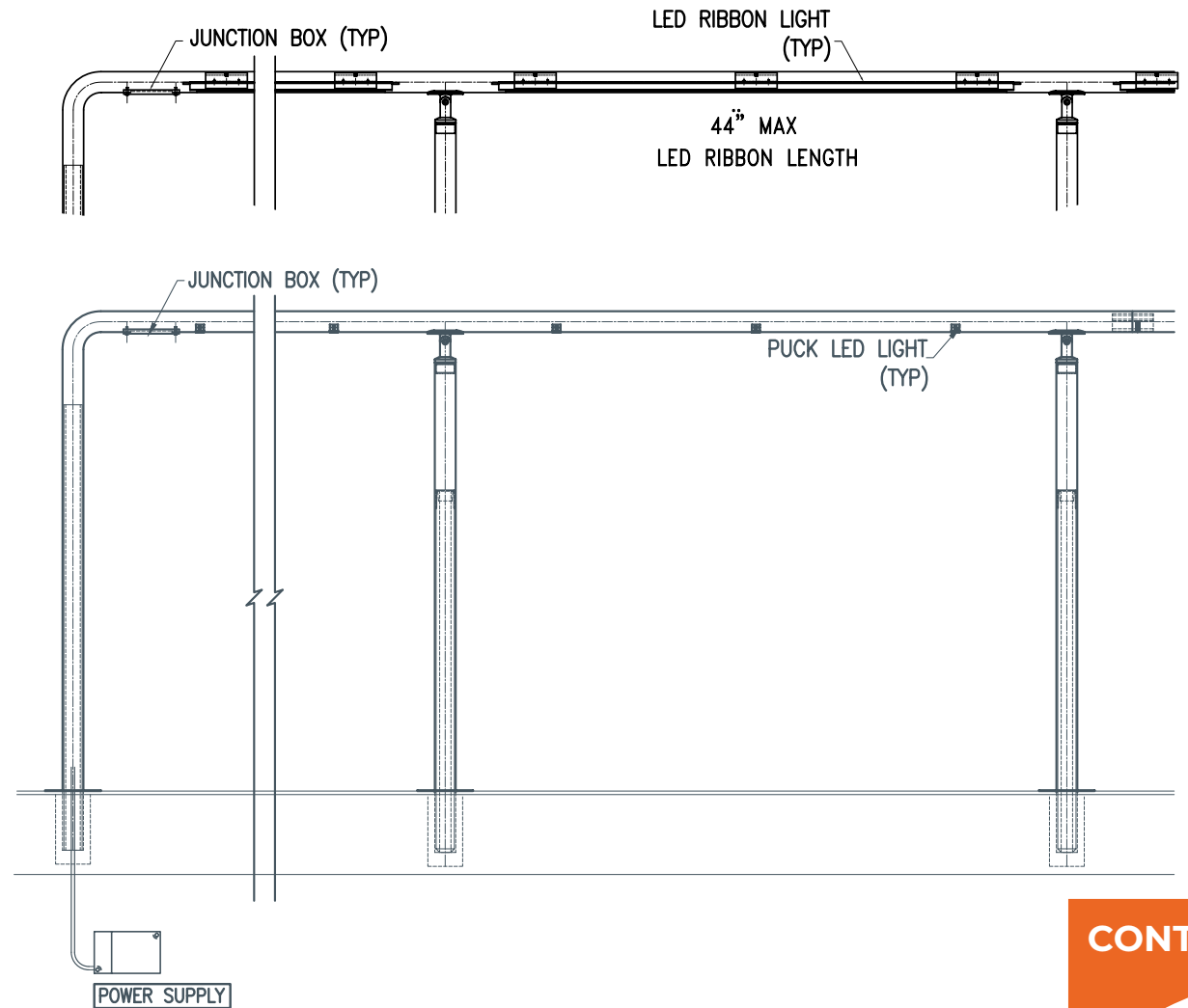
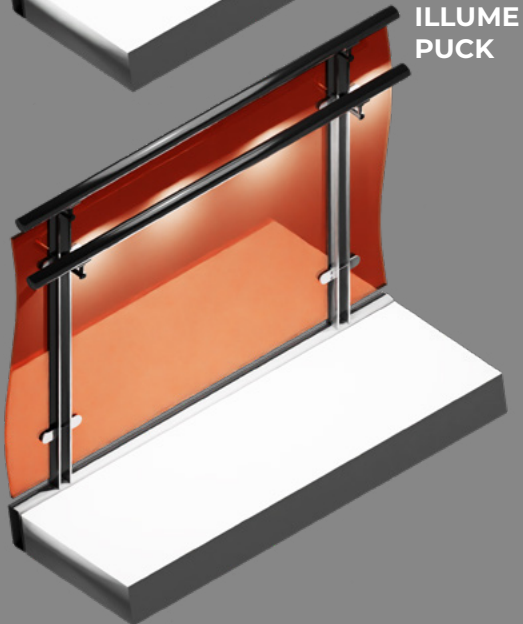
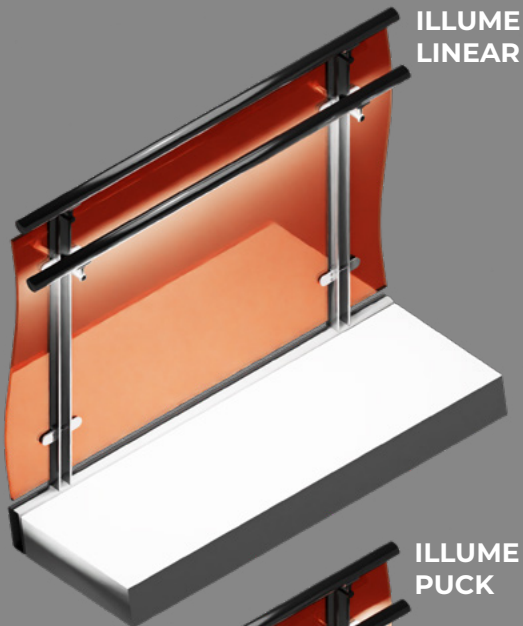
Icon Railing

LED RAILINGS



Icon Railing

LED RAILINGS



CONTENT

29



www.liversbronze.com



Railings@LiversBronze.com



816-300-2828



ICON
SYSTEM

Livers Bronze LLC

4621 East 75th Terrace
Kansas City, MO 64132

Phone: 816-300-2828

www.liversbronze.com

