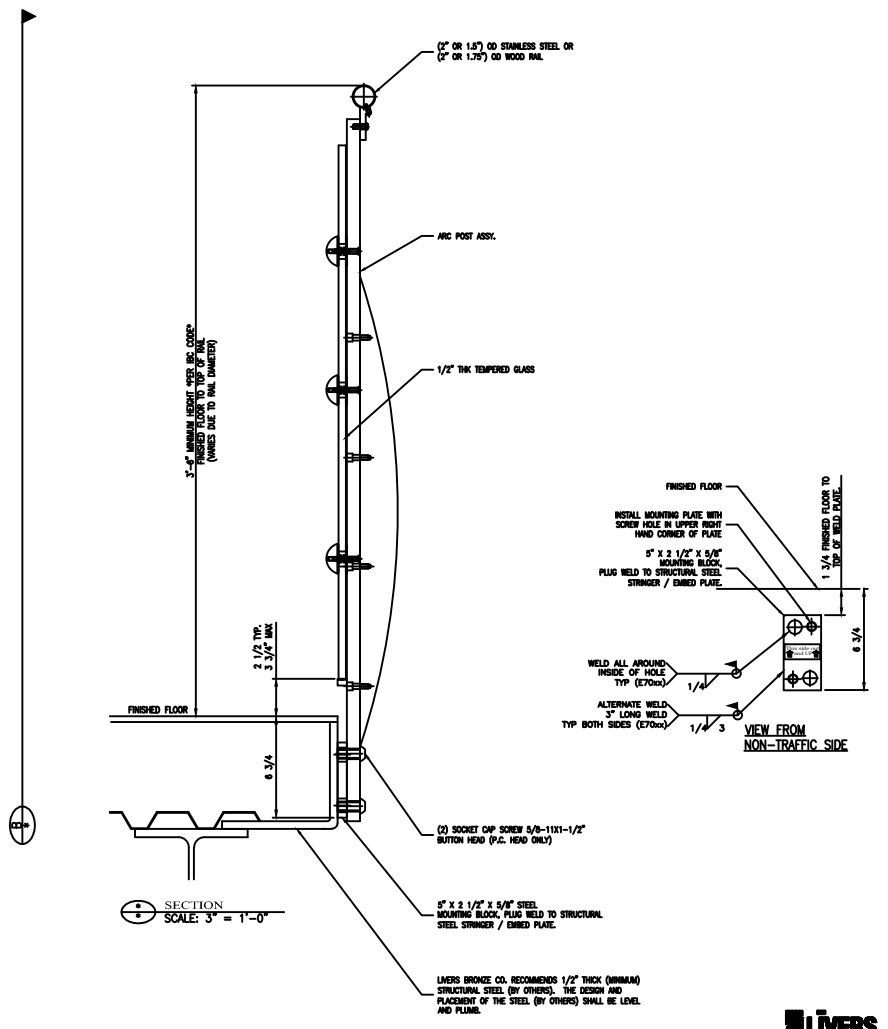
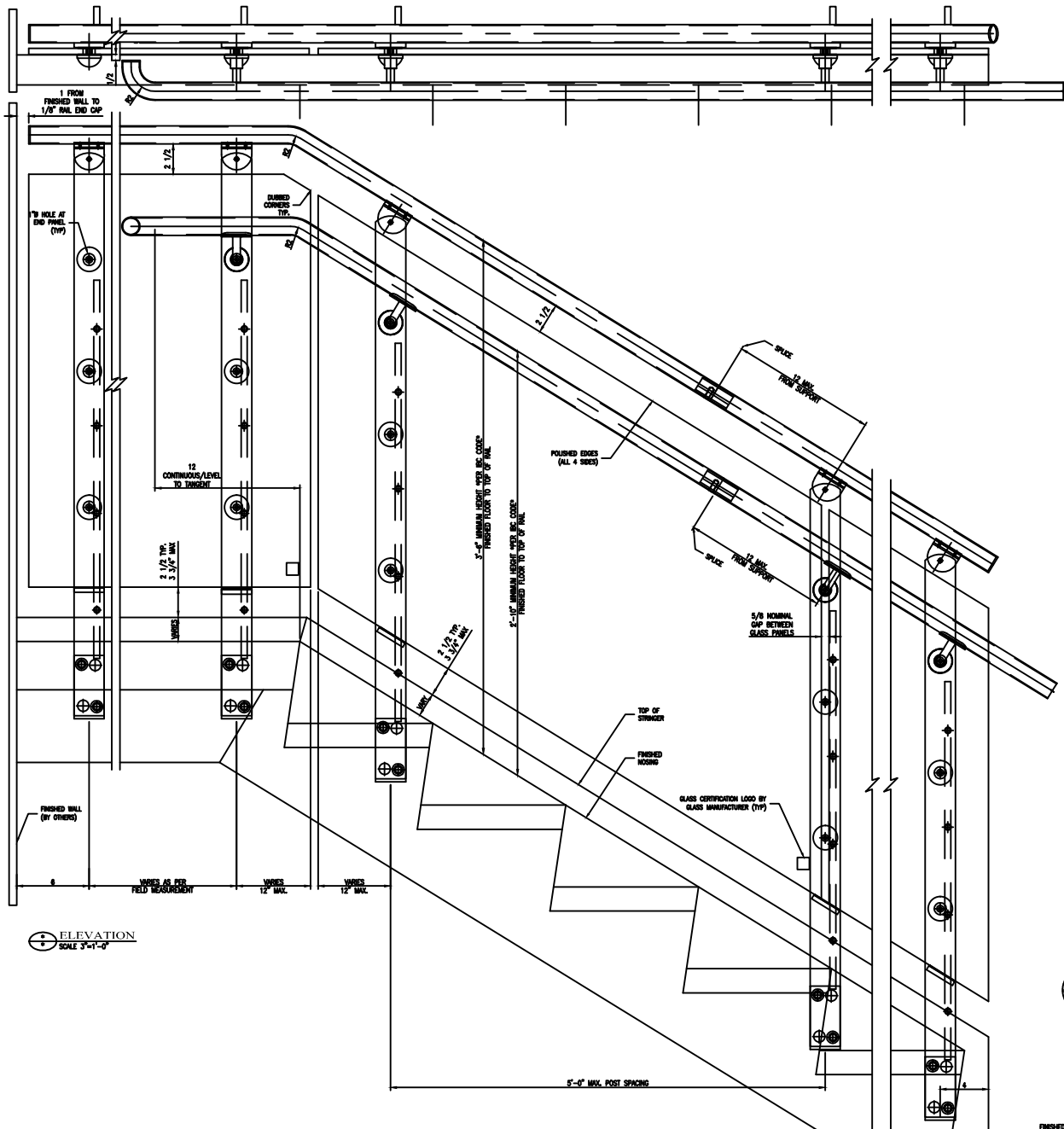


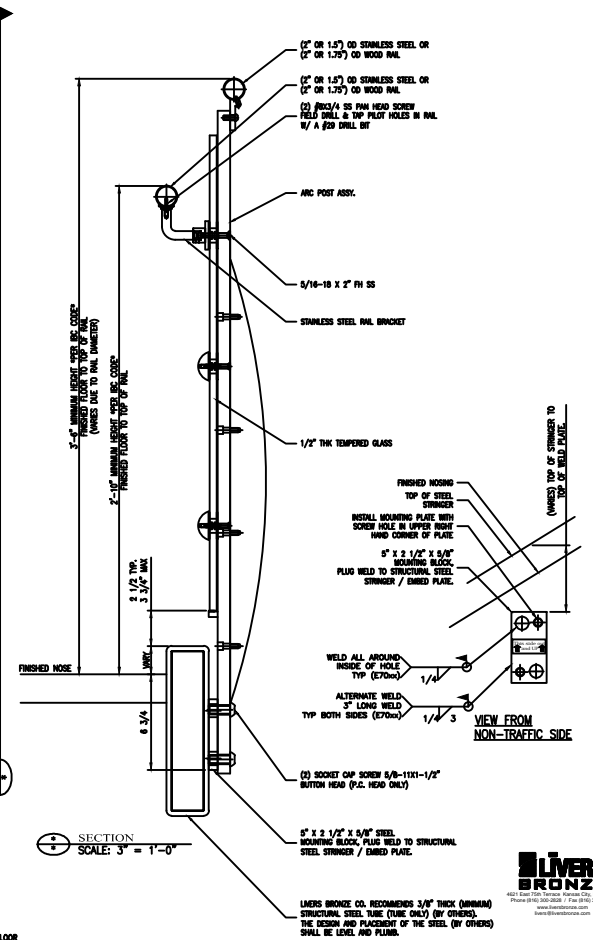
ELEVATION
SCALE 3/4" = 1'-0"



SECTION
SCALE: 3/4" = 1'-0"



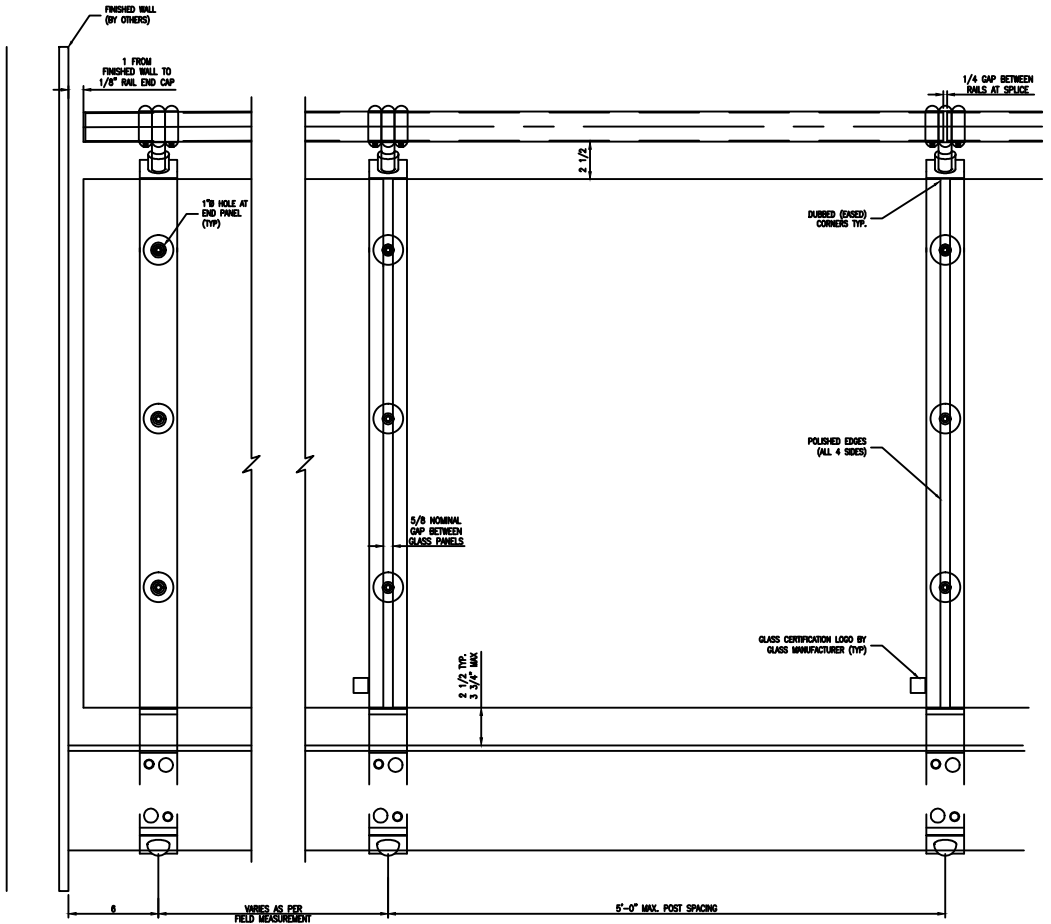
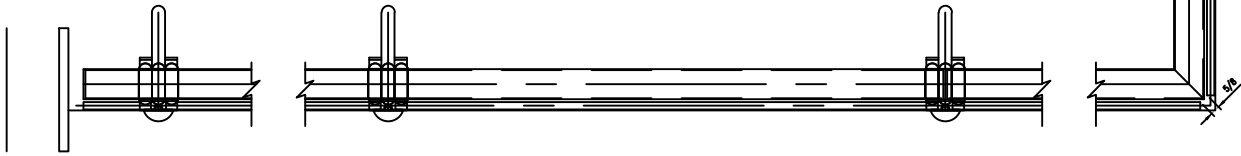
ELEVATION
SCALE: 3/4" = 1'-0"



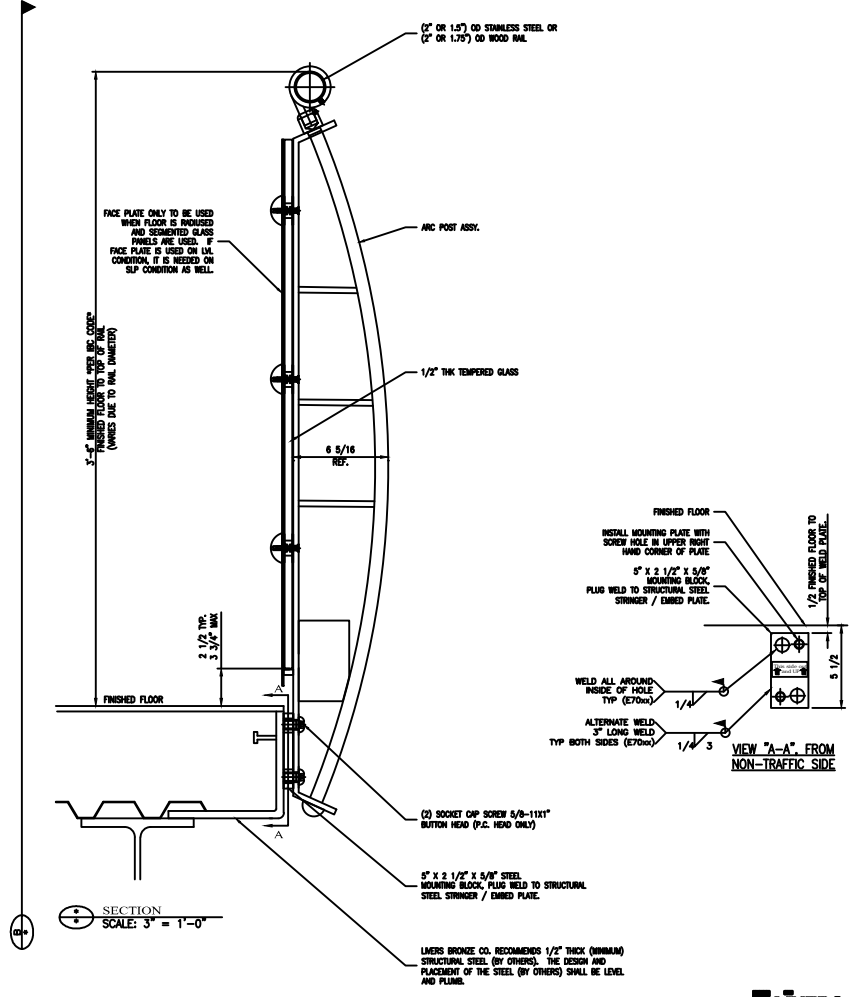
SECTION
SCALE: 3" = 1'-0"

LIVERS BRONZE CO. RECOMMENDS 3/8" THICK (MINIMUM) STRUCTURAL STEEL TUBE (TUBE ONLY) (BY OTHERS). THE DESIGN AND PLACEMENT OF THE STEEL (BY OTHERS) SHALL BE LEVEL AND PLUMB.

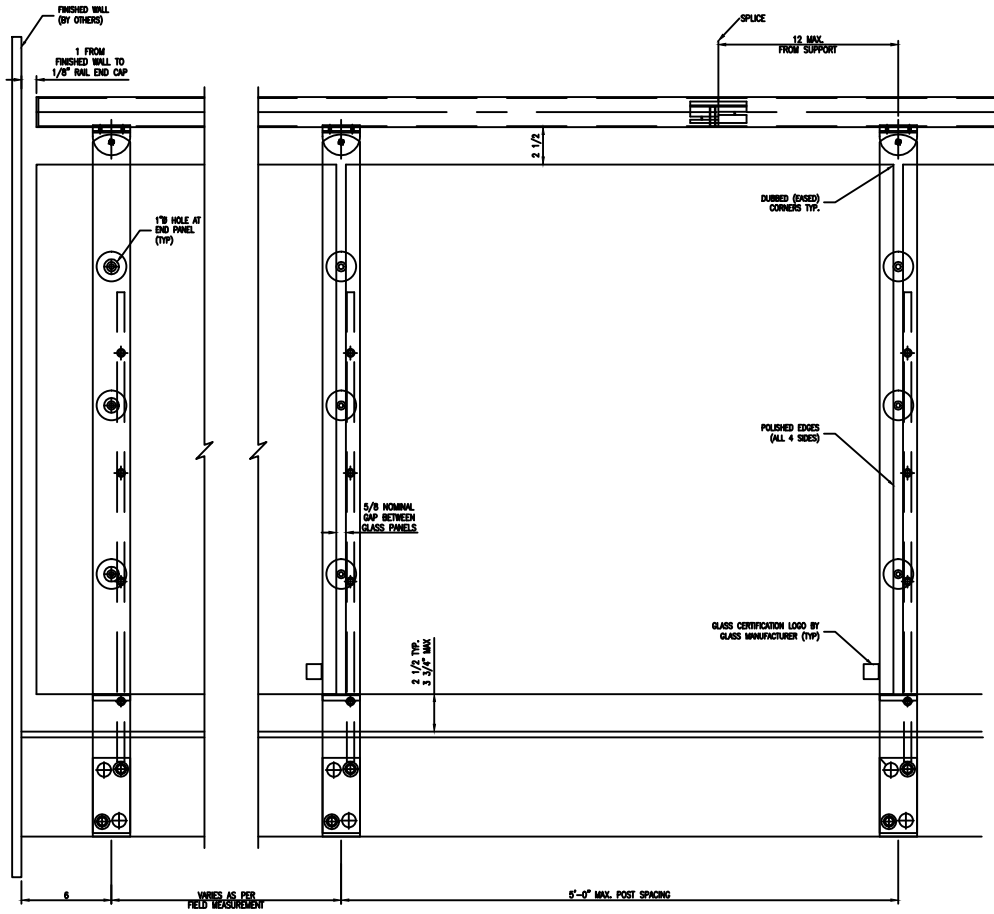
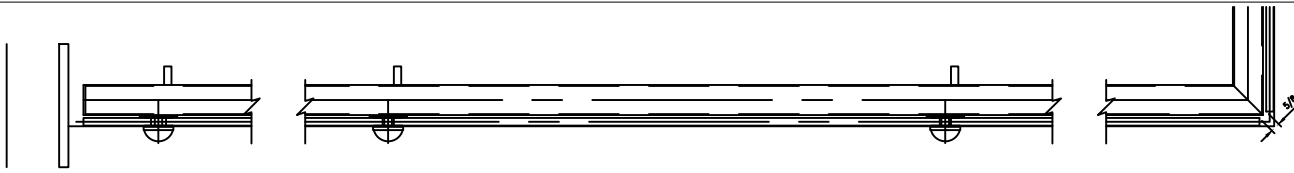
461 East 10th Street, P.O. Box 200, Salt Lake City, UT 84111
Phone: 801-461-2000 Fax: 801-461-2004
www.liversbronze.com
liversbronze@liversbronze.com



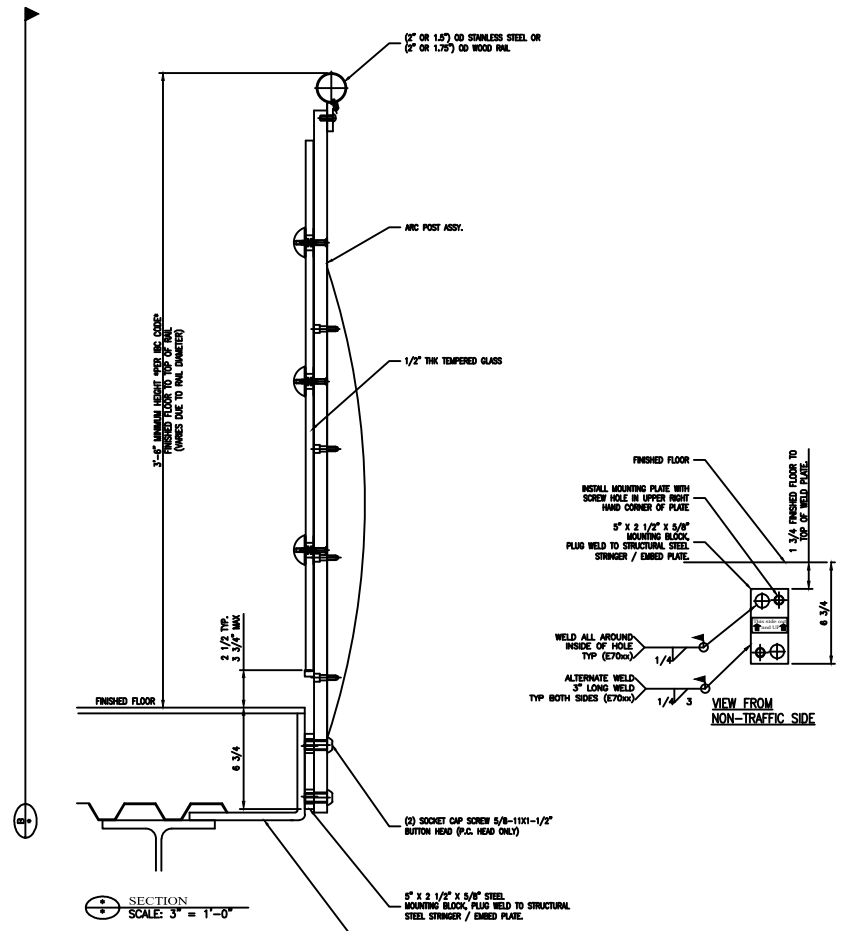
ELEVATION
SCALE 3" = 1'-0"



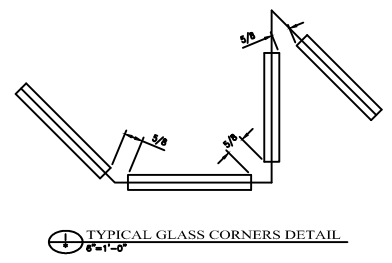
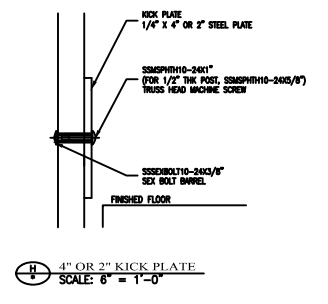
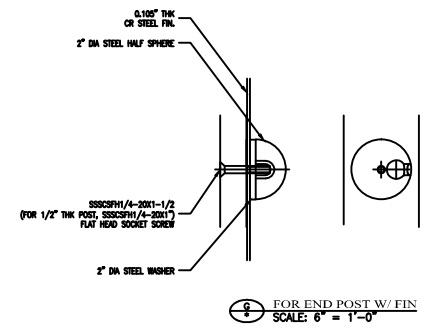
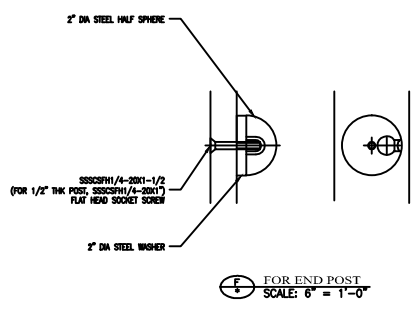
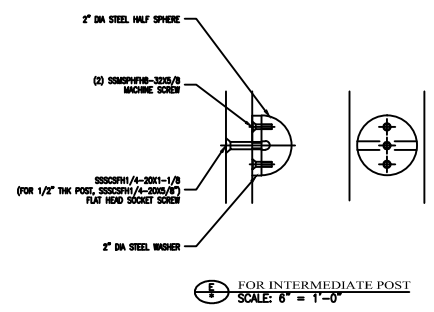
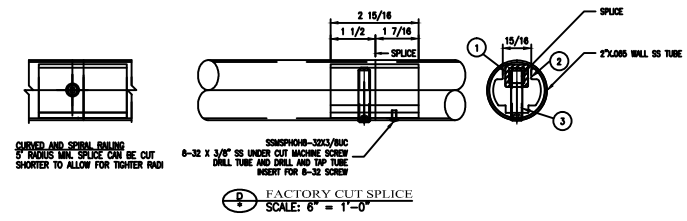
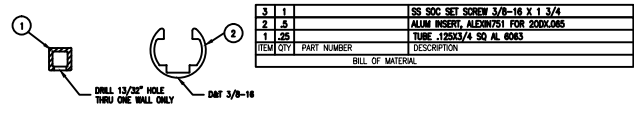
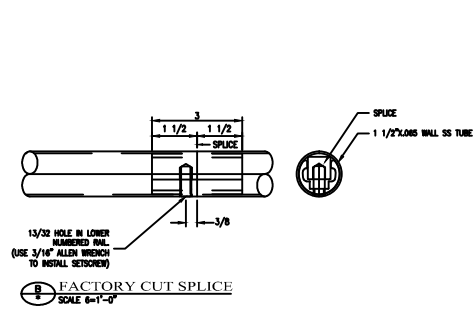
SECTION
SCALE 3" = 1'-0"



ELEVATION
SCALE 3/4"=1'-0"



SECTION
SCALE: 3/4" = 1'-0"



RB1051-07 GLASS BRKT DETAIL

