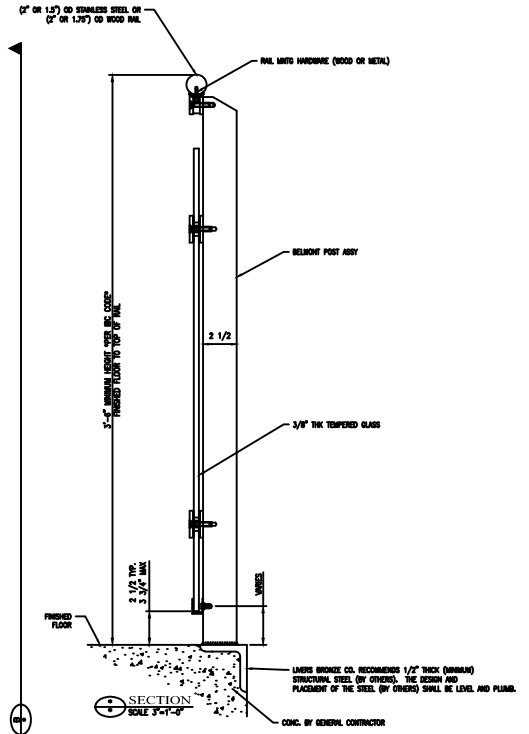
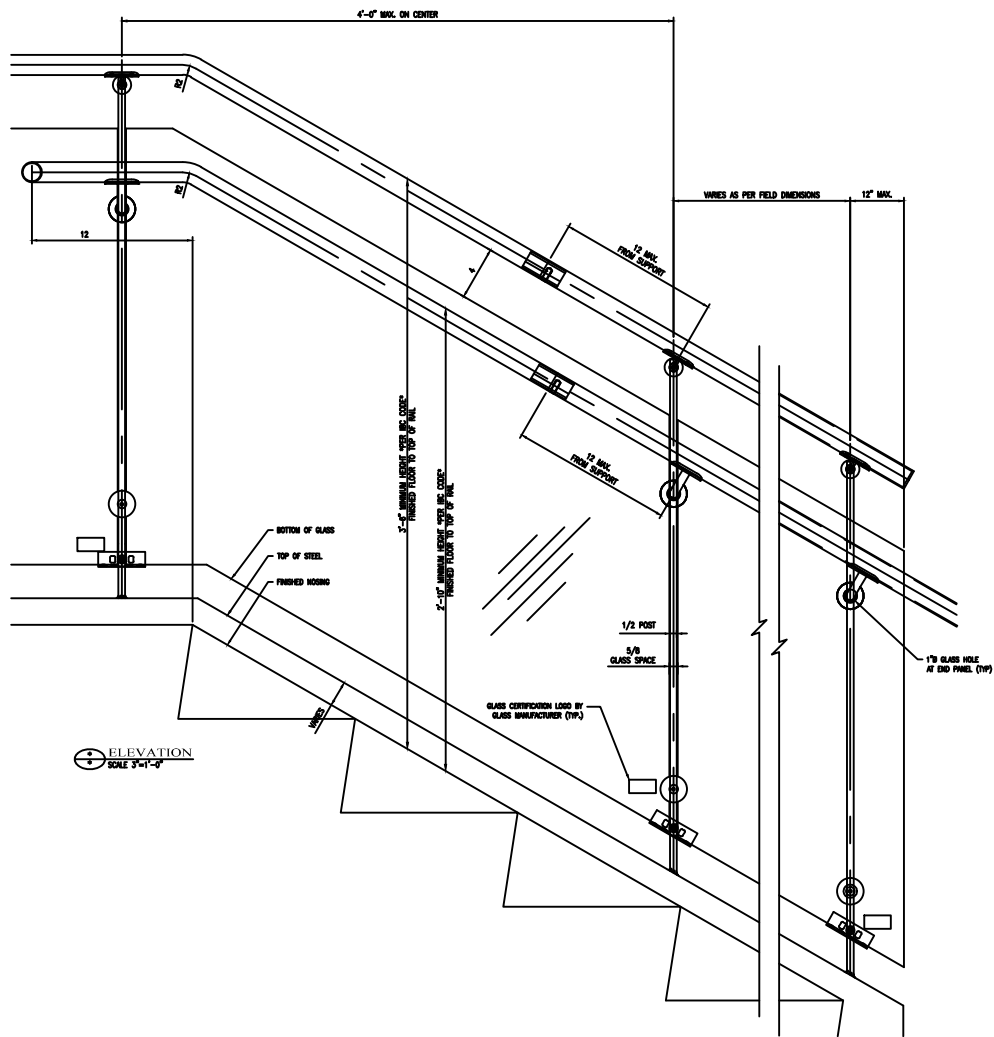
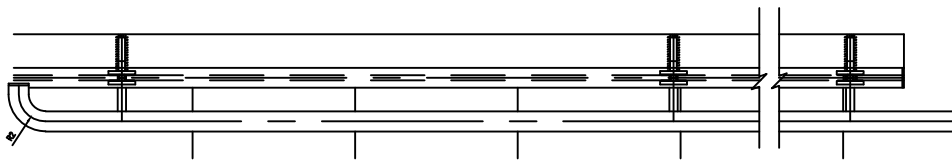
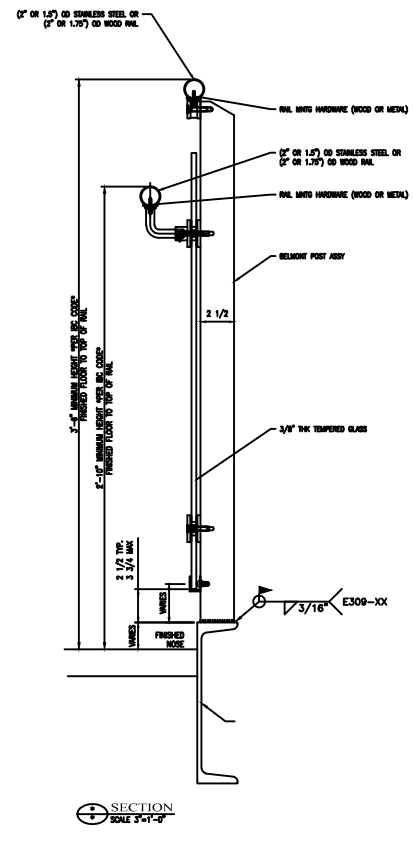


ELEVATION  
SCALE 3/4"=1'-0"

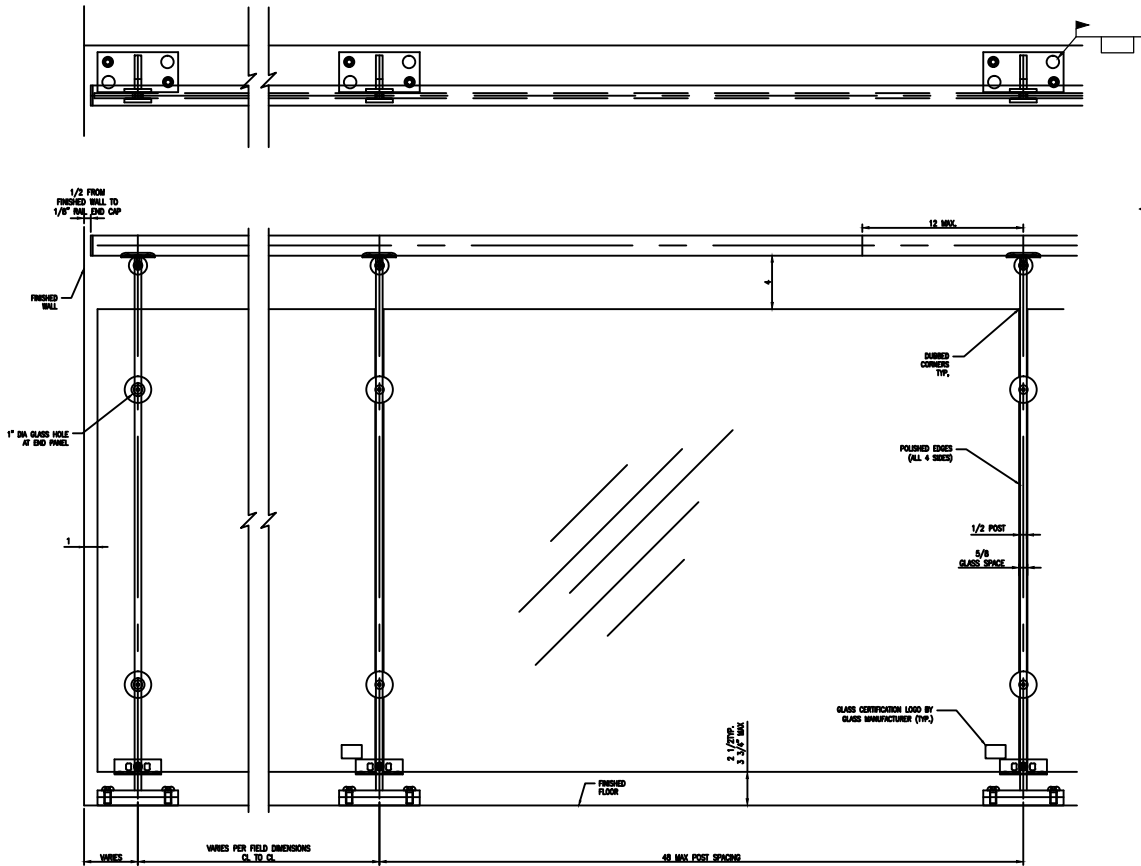




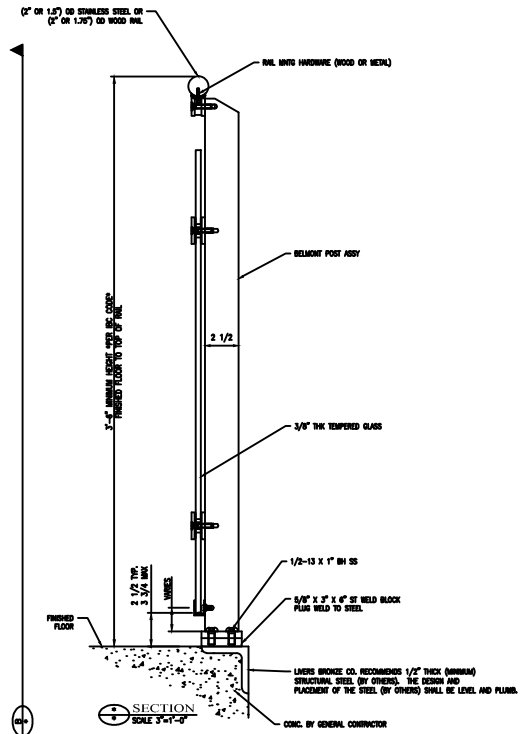
ELEVATION  
SCALE 3/4"=1'-0"

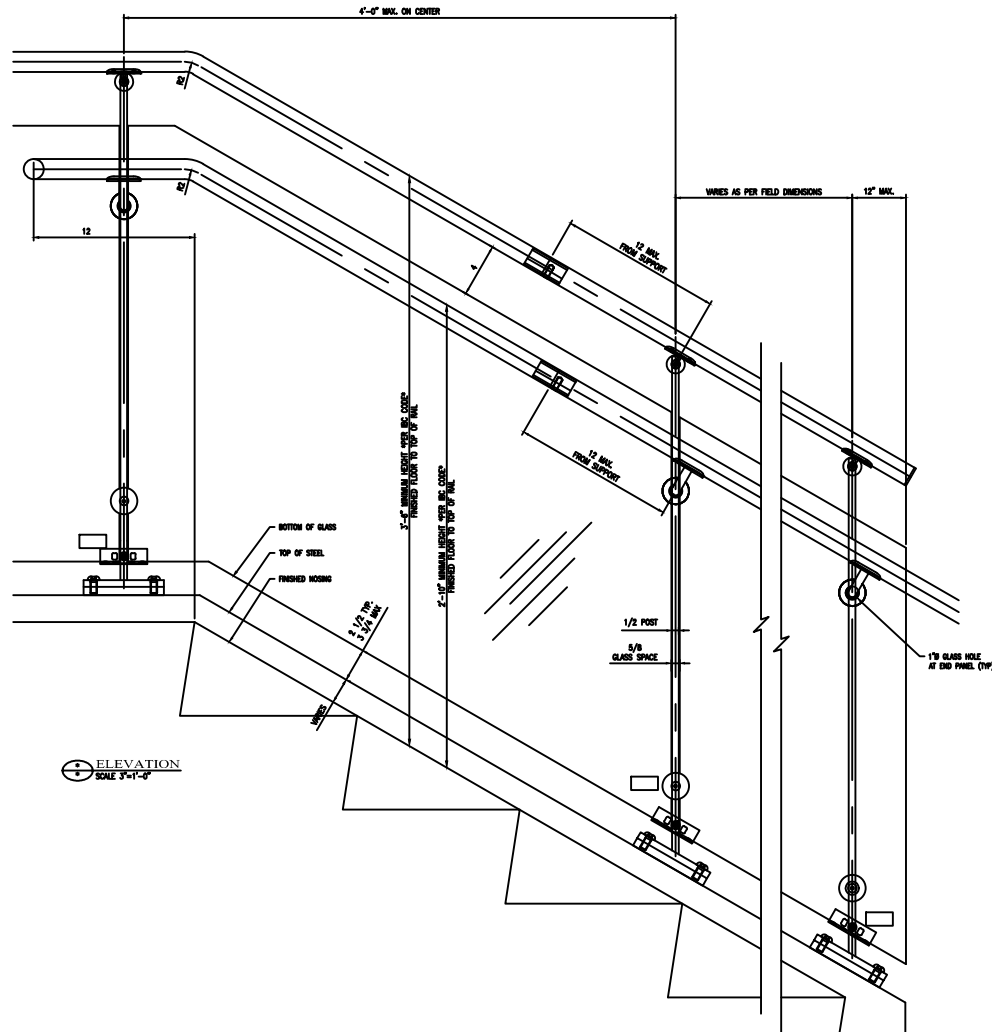
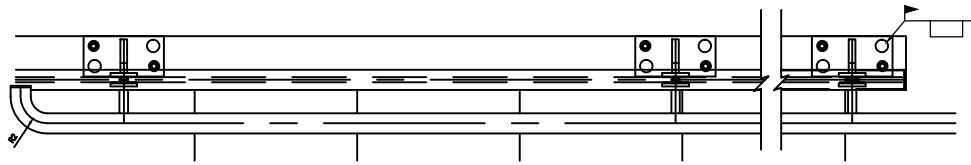


SECTION  
SCALE 3/4"=1'-0"

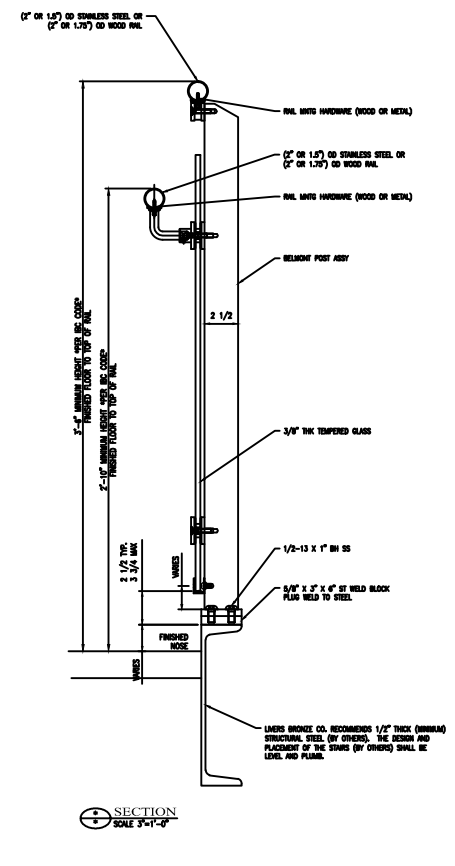


ELEVATION  
SCALE 3/4"=1'-0"

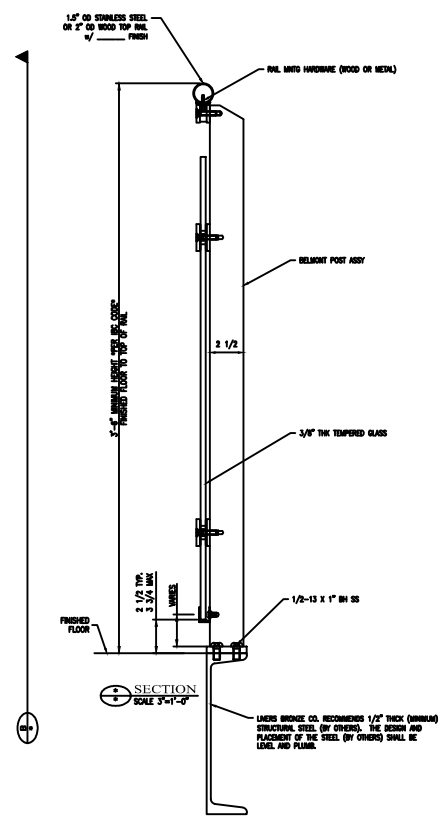
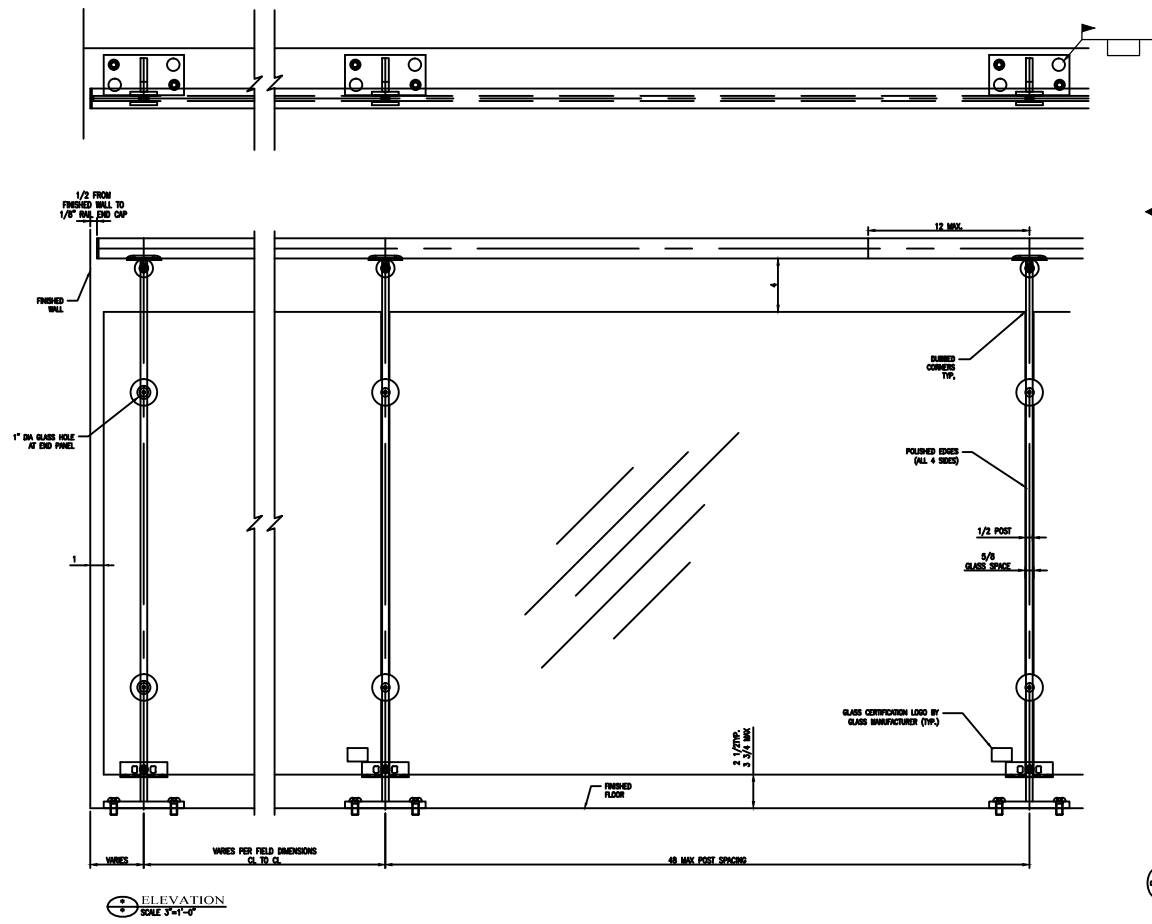




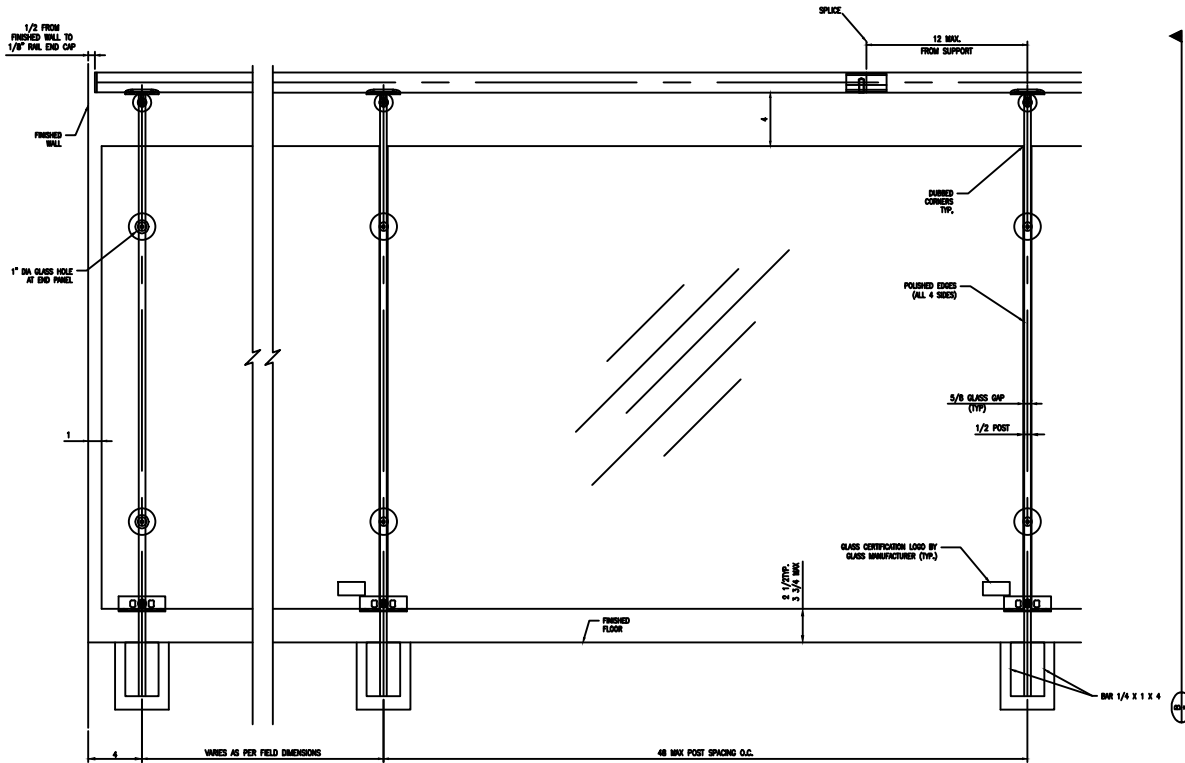
ELEVATION  
SCALE 3/4"=1'-0"



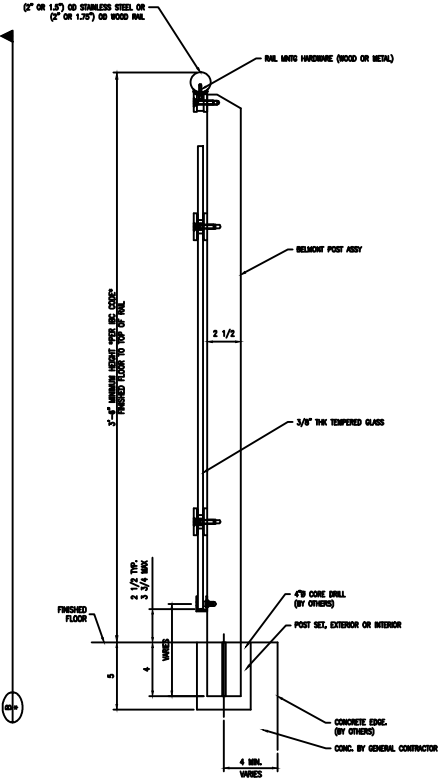
SECTION  
SCALE 3/4"=1'-0"



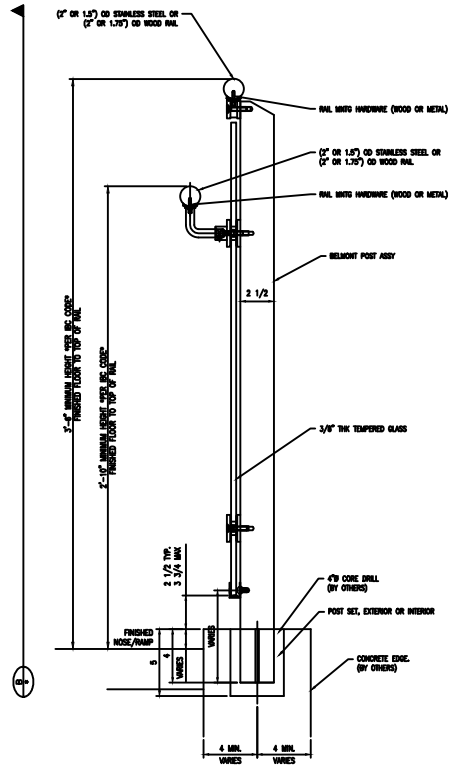
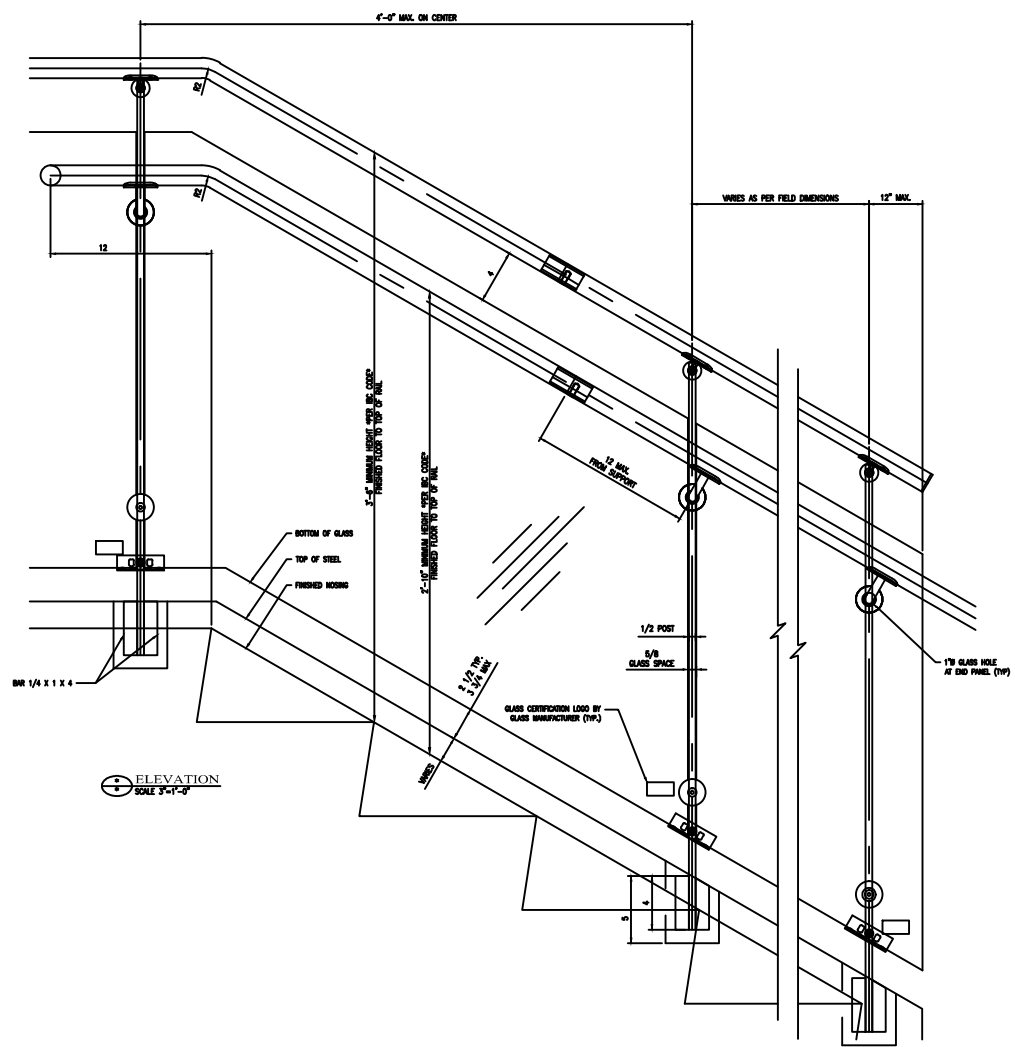
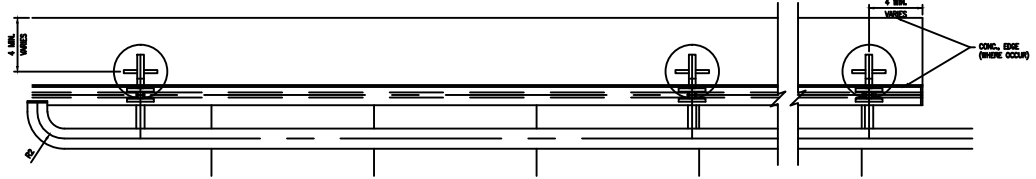




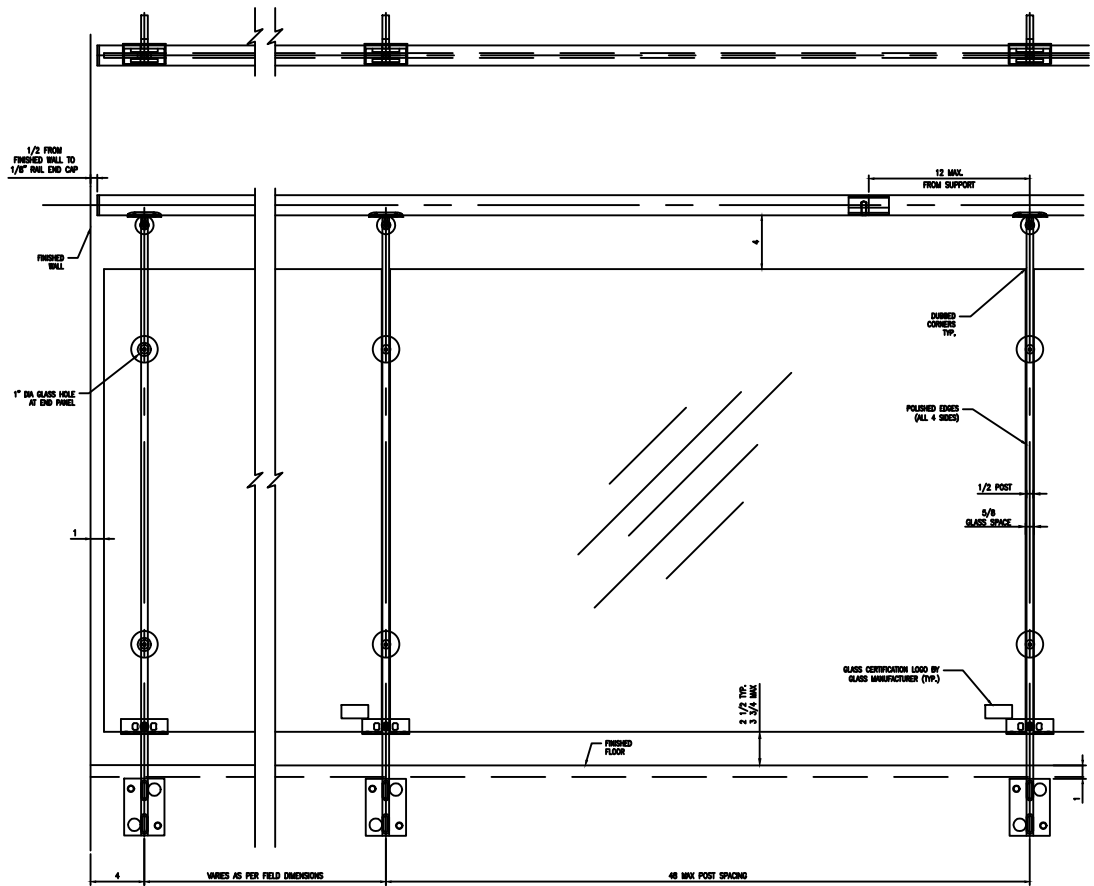
ELEVATION  
SCALE 3/4"=1'-0"



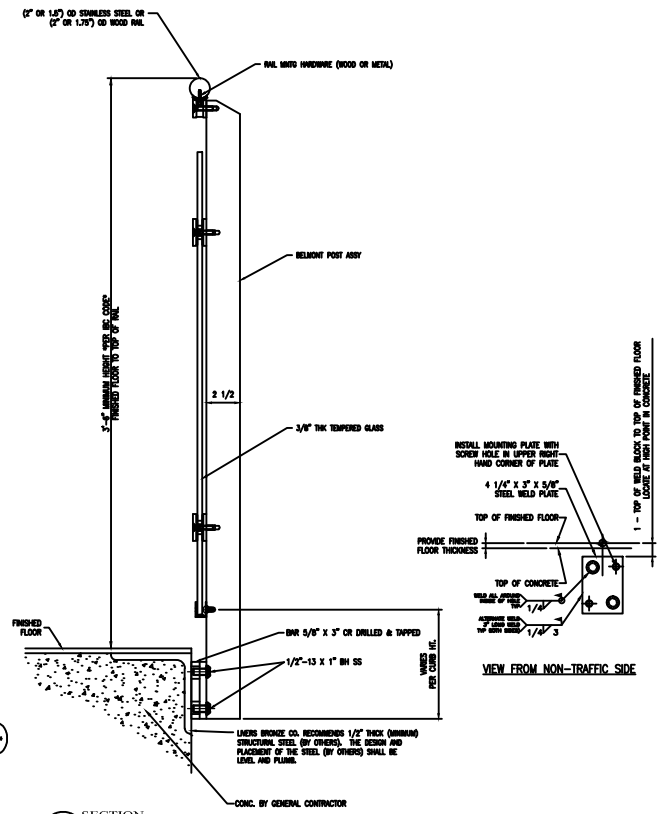
SECTION  
SCALE 3/4"=1'-0"



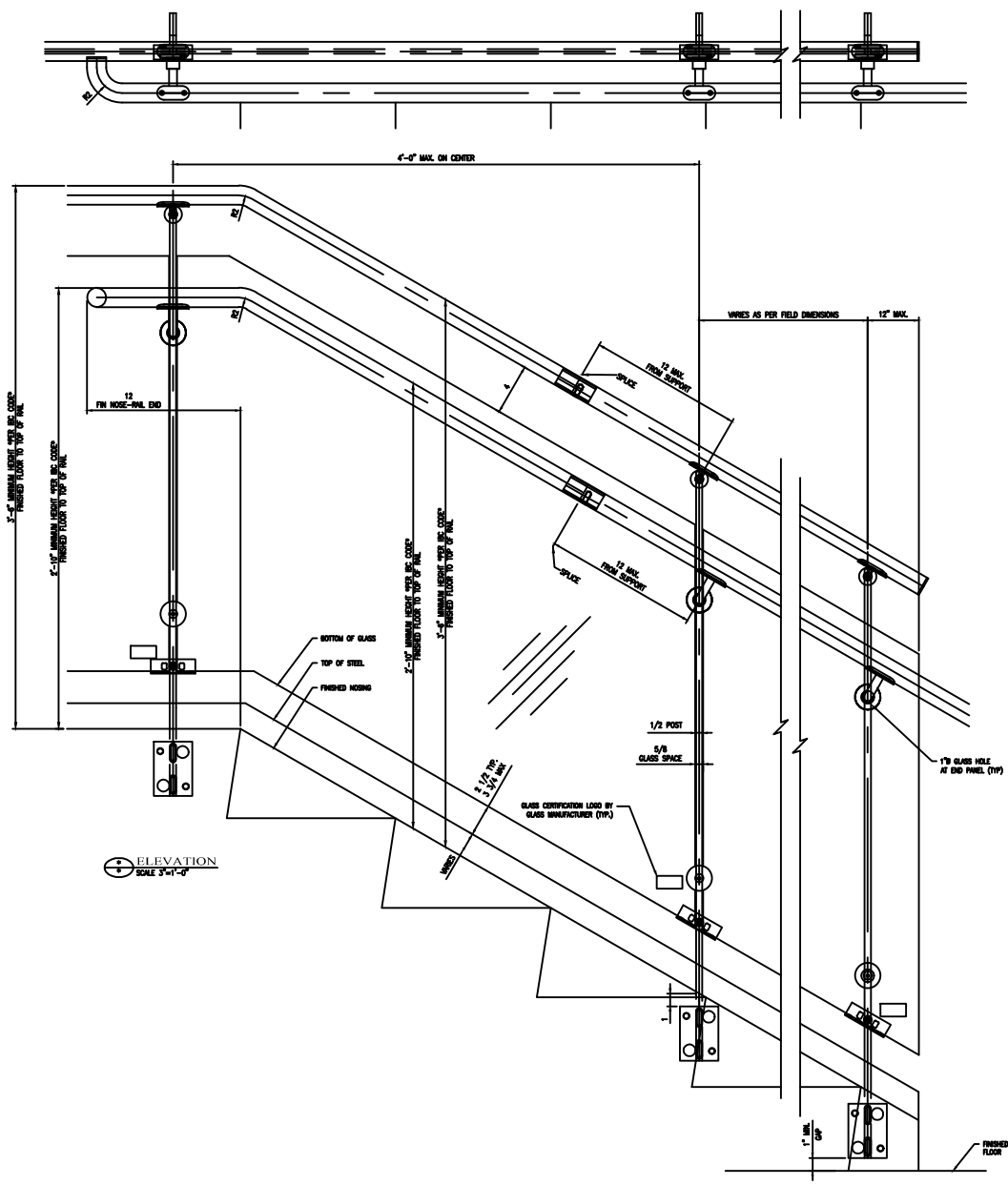




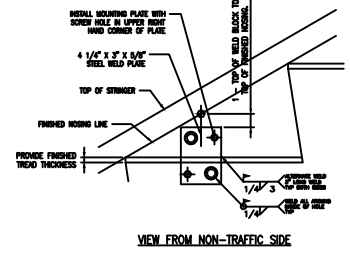
ELEVATION  
SCALE 3/4"=1'-0"



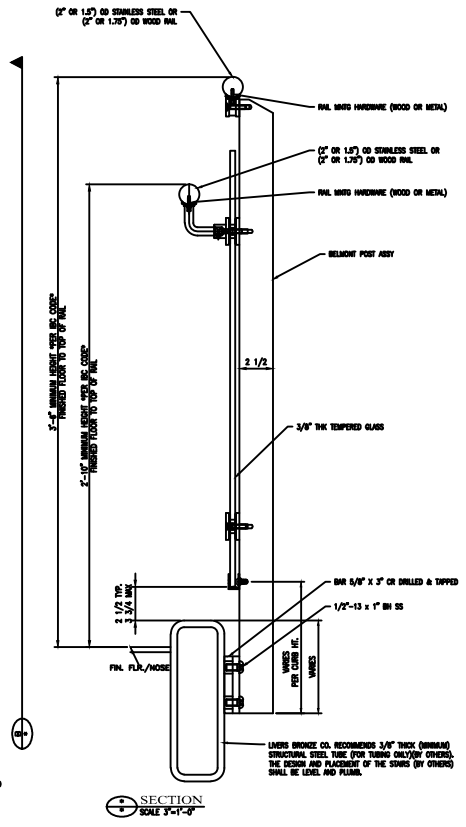
SECTION  
SCALE 3/4"=1'-0"



ELEVATION  
SCALE 3/4"=1'-0"



VIEW FROM NON-TRAFFIC SIDE

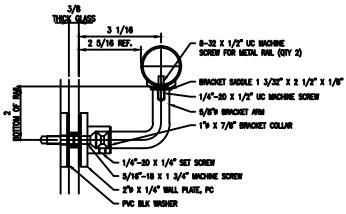


SECTION  
SCALE 3/4"=1'-0"

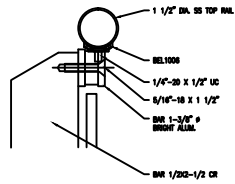
LIVERS BRONZE CO. RECOMMENDS 3/8" THICK (MINIMUM) STRUCTURAL STEEL TUBE FOR TUBING ONLY (BY OTHERS). THE DESIGN AND PLACEMENT OF THE STAIRS (BY OTHERS) SHALL BE LEVEL AND PLUMB.



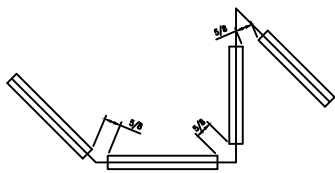




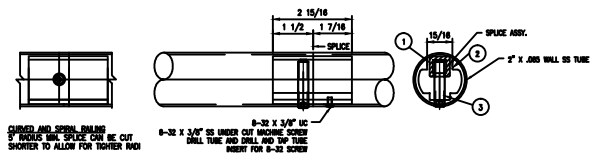
⊕ SIDE RAIL BRACKET  
SCALE: 6"=1'-0"



⊕ TOP RAIL BRACKET  
SCALE: 6"=1'-0"



⊕ TYPICAL GLASS CORNERS DETAIL  
SCALE: 6"=1'-0"



⊕ FACTORY CUT SPLICE  
SCALE: 6"=1'-0"

